

# UFO SPECIFICATION SHEET

MAXIMUM DOOR WEIGHT

120kg PER DOOR LEAF

MINIMUM DOOR WIDTH (FROM PIVOT POINT)

600mm

MAXIMUM DOOR WIDTH (FROM PIVOT POINT)

1100mm EXTERNAL DOORS  
1400mm INTERNAL DOORS

MAXIMUM DOOR HEIGHT

2400mm

UFO OPERATOR DIMENSIONS

550mm LONG x 125mm HIGH x 200mm DEEP

UFO OPERATOR WEIGHT

22kg TOTAL

POWER CONSUMPTION

230W

CONTROLS

THE UFO OPERATOR HAS A WHITE PAINTED STEEL CONTROL BOX ENCLOSURE WHICH NEEDS TO BE POSITIONED WITHIN 10 metres OF THE UFO OPERATOR UNIT

IT COMES COMPLETE WITH A 3 POSITION ROCKER SWITCH FITTED INTO THE COVER GIVING CONTROL FOR 'OFF', 'FULLY AUTO' & 'HOLD OPEN'  
WEIGHT OF BOX - 4.5Kgs

AN (OPTIONAL) 3 POSITION KEYSWITCH HAVING THE SAME CONTROL FUNCTIONS CAN ALSO BE SUPPLIED

FUSED SPUR

A 240 Volt 13A FUSED SWITCHED SPUR WILL BE REQ'D - THIS IS TO BE SUPPLIED AND INSTALLED BY OTHERS - THE LOCATION IS TO BE ADJACENT TO THE UFO CONTROL BOX SUBJECT TO SITE CONDITIONS.

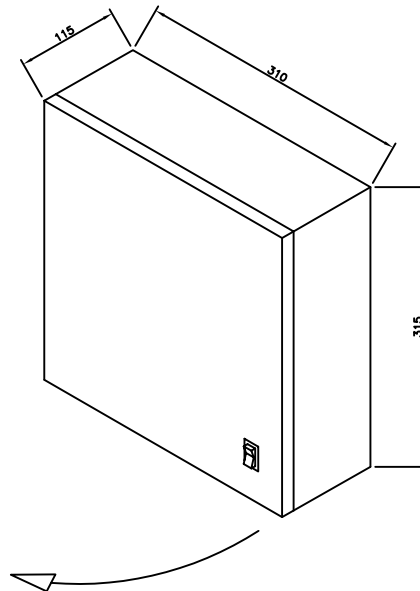
FIRE ALARM CONNECTION

ONE PAIR OF NORMALLY OPEN VOLT FREE CONTACTS BY OTHERS, TERMINATING AT THE OPERATOR IF FIRE ALARM ACTIVATION IS SPECIFIED

(OPTIONAL) MANUAL DOOR LOCKING ALUMINIUM FRAMED DOORS - STANDARD ADAMS RITE HOOKLOCK IN MEETING STILES WITH EURO PROFILE CYLINDERS TO BOTH SIDES

AP DOORS - LOCK BODY WITHIN BOTTOM RAILS WITH SHOOTBOLT INTO FLOOR - EUROPROFILE CYLINDERS TO BOTH SIDES

UFO ENCLOSURE BOX



Revision	Drawn	Date	Reason for Change											
A	PW	19/6/09	ENCLOSURE BOX DIMS CHANGED											
<table border="0" style="width: 100%;"> <tr> <td colspan="2"> <b>Drawing No.</b> UFO SPEC SHEET                 </td> <td colspan="2" rowspan="2" style="text-align: center;"> </td> </tr> <tr> <td colspan="2"> <b>Title</b> UFO OPERATOR GENERAL SPECIFICATION                 </td> </tr> <tr> <td colspan="2"> <b>Drawn</b> GH                 </td> <td> <b>Appd</b>  </td> <td> <b>Scale</b> NTS                 </td> <td> <b>Date</b> AUG 08                 </td> </tr> </table>				<b>Drawing No.</b> UFO SPEC SHEET				<b>Title</b> UFO OPERATOR GENERAL SPECIFICATION		<b>Drawn</b> GH		<b>Appd</b> 	<b>Scale</b> NTS	<b>Date</b> AUG 08
<b>Drawing No.</b> UFO SPEC SHEET														
<b>Title</b> UFO OPERATOR GENERAL SPECIFICATION														
<b>Drawn</b> GH		<b>Appd</b> 	<b>Scale</b> NTS	<b>Date</b> AUG 08										
<table border="0" style="width: 100%;"> <tr> <td colspan="4">                     GEZE UK Ltd                      Blenheim Way                      Fradley Park                      Lichfield      www.geze.com                      Staffordshire.    TEL 01543 443000                      WS13 8SY      FAX 01543 443001                 </td> </tr> </table>				GEZE UK Ltd Blenheim Way Fradley Park Lichfield      www.geze.com Staffordshire.    TEL 01543 443000 WS13 8SY      FAX 01543 443001										
GEZE UK Ltd Blenheim Way Fradley Park Lichfield      www.geze.com Staffordshire.    TEL 01543 443000 WS13 8SY      FAX 01543 443001														

This drawing shows the actual design of product development at the date indicated. No claims or changes in any form can be made against GEZE as a result of the incorporation of the drawing. This drawing remains the property of GEZE and is made available to third parties only for the duration of contractual obligations. All rights connected with this drawing remain in possession of GEZE. This drawing may not be copied or handed over to third parties without the express consent of GEZE.