



GEZE RSZ 5

# RSZ 5

## Smoke switch control unit, Certification No. Z-6.5-1508



The **GEZE** smoke switch control unit **RSZ 5** with integrated 24 V DC power supply unit is both a smoke detector for early detection of fire and also a smoke switch to actuate hold-open systems for fire protection barriers.

It is possible to connect additional smoke switches.

230 V voltage supply cable either flush- or surface-mounted.

The **RSZ 5** can be used for both door closers and magnetic clamps.

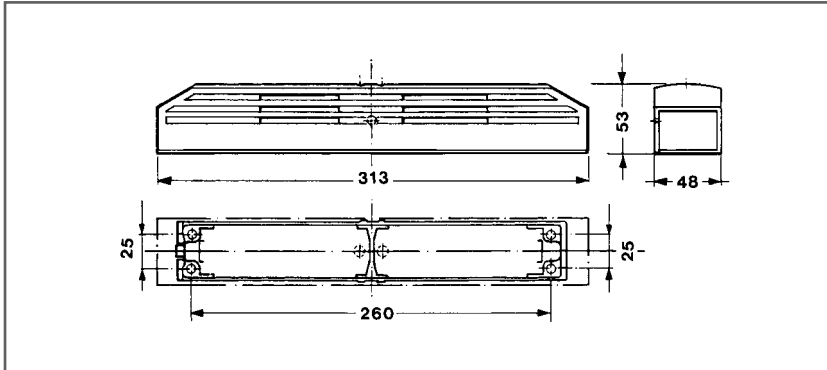


Fig. 21

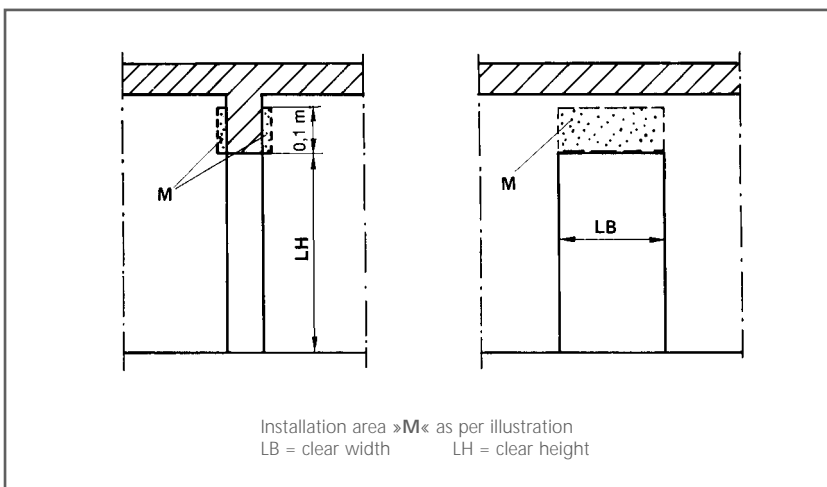


Fig. 22

### Mounting

Fig. 22 shows the mounting of the **GEZE RSZ 5**.

The smoke switch control unit should **only** be mounted to the vertical wall above the door opening.

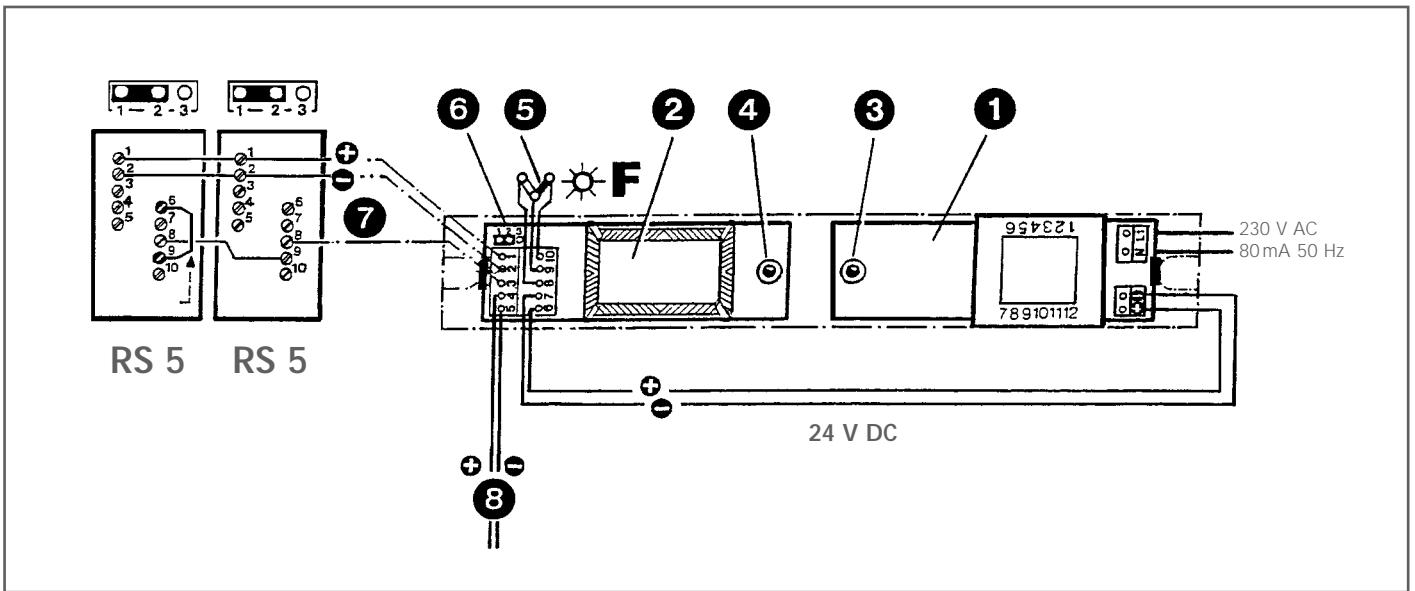


Fig. 23

## Smoke switch control unit **GEZE RSZ 5**

### Ordering text

Description	Finish	ID No.
<b>GEZE RSZ 5</b>	silver	028357
Smoke switch control unit	dark bronze	028960
	white RAL 9010	031200
	white RAL 9016	028961
	stainless steel	028963
	RAL colour	028962

### Accessories

Description	Finish	ID No.
Release switch	–	073927

1) has not been approved in conjunction with TSA 160F, TSA 160F-IS and magnetic clamps.

#### Electrical data

- ▶ Smoke detection – optical scattered light principle
- ▶ Operating voltage 230 V AC, 80 mA, 50 Hz

*TS 5000 E-IS* = 200 mA  
*TS 550 E* = 110 mA  
*TS 550 E-IS* = 220 mA  
*TS 3000 VE* = 100 mA  
*TS 5000 E-IS* = 200 mA  
*TSA 160 F* = 60 mA  
*TSA 160 F-IS* = 60 mA

Magnetic clamp:  
*Typ 837* (Fuss) = 75 mA  
*Typ 838* (Fuss) = 90 mA

- ① Power supply unit
- ② Smoke detection unit
- ③ Status display, LED green
- ④ Alarm display, LED red
- ⑤ Potential-free contact to external smoke detection display; max. 30 VD/1 A/30W
- ⑥ Plug-in jumper
- ⑦ Connection of additional smoke switches (max. 2 units); **GEZE RS 5**
- ⑧ Connection for door closers and magnets

- ▶ Max. total connected load 230 mA
- ▶ Ambient temperature –5° C to +50° C
- ▶ Fuse *T 315 mA »L«*
- ▶ Enclosure rating IP 20

#### Connected loads:

*TS 4000 E* = 45 mA  
*TS 5000 E* = 100 mA

### Product description:

Smoke switch control unit **GEZE RSZ 5**,  
 Connection 230 V AC, 230 mA,  
 Output voltage: 24 V DC

Finish:  
 silver  
 dark bronze  
 white  
 stainless steel  
 RAL ....