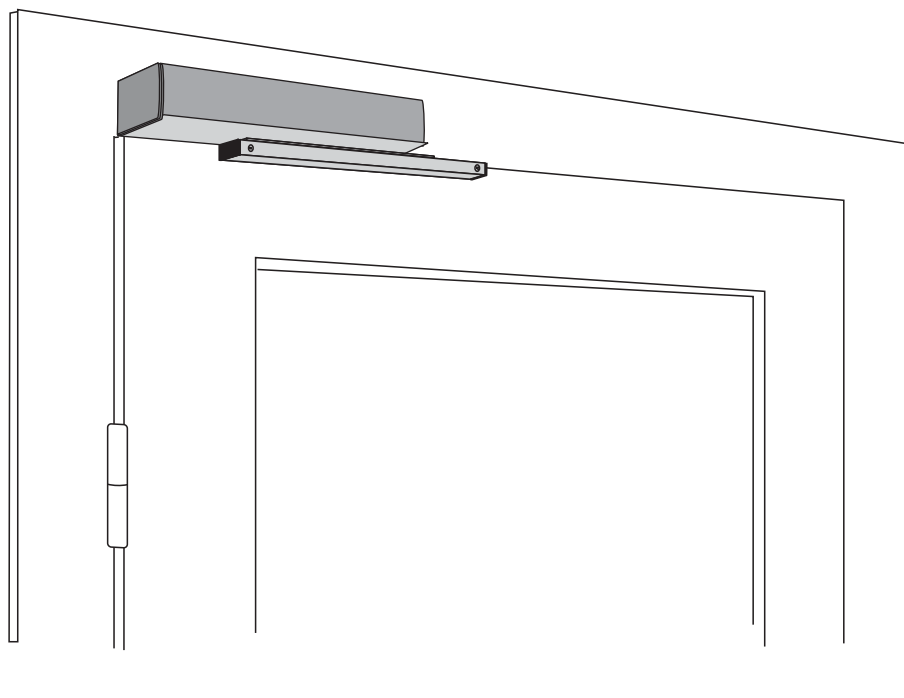


TSA 150E / TSA 150P

Electro-mechanical swing door system
for single and double action doors



Planning document

GB

Contents

Applications	3
Product features	4
System specification	5-6
System description TSA 150 E	7
Drive unit variants TSA 150 E	8
Assembly examples TSA 150 E	9
Installation variants TSA 150 E	10-11
Mounting dimensions TSA 150 E	12-14
Cable plan TSA 150 E	15

The GEZE TSA 150 P is an overhead, electromechanical swing-door system for double action doors. The device is installed in a specially prepared door frame in the upper cross member. For dry rooms only.

Applications

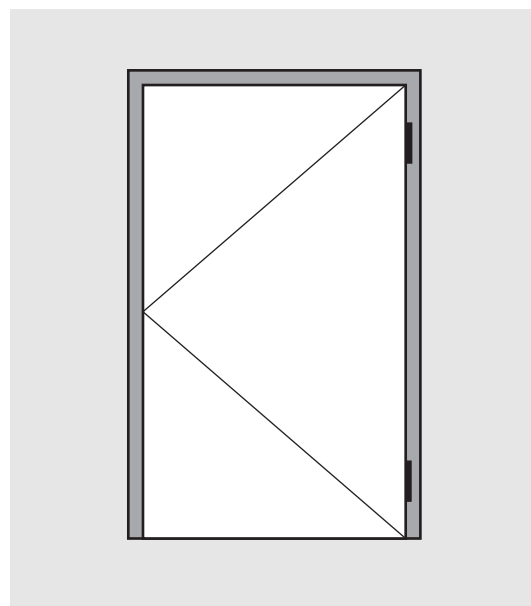
GEZE TSA 150 E and GEZE TSA 150 P are suitable for the following internal applications:

- Hospitals
- Doctor's practices
- Homes for the elderly and disabled
- Hotels and restaurants
- Administrative buildings
- Residential buildings
- Educational institutions

Product features

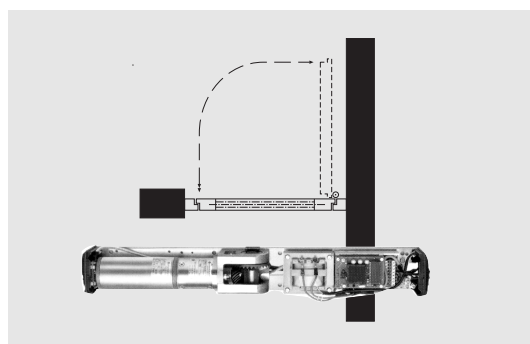
For single or double leaf swing doors made of:

- Metal
- Timber
- Plate glass
- UPVC



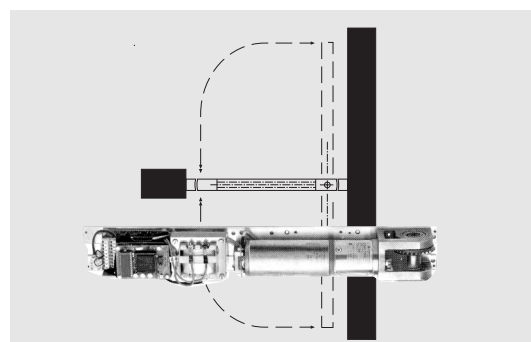
Dimensions TSA 150 E

- Length 530 mm
- Height 72 mm
- Depth 75,5 mm
- Weight approx. 6 kg



Dimensions TSA 150 P

- See installation drawing SK 917/60



System specification

Micro processor controlled, electro-mechanical swing-door system for single and double action doors for internal applications. For dry rooms only.

Technical features	TSA 150 E	TSA 150 P
■ Door leaf width:	max. 1000 mm	max. 1000 mm
■ Door leaf weight:	up to 100 kg	up to 80 kg
■ Device for:	left side pushing right side pushing left side pulling right side pulling	double action - - -
■ Opening angle:	pushing max. 115° pulling max. 95°	- -

Technical features TSA 150 E and TSA 150 P

- Power supply: 230/240 V 50/60 Hz or 24 V DC (see rating plate)
- Power consumption in continuous operation: 40 W (without external ancillary equipment)
- Initial switch on power consumption: 200 W
- Externally connectable devices: 24 V DC, max. 800 mA
- Opening/closing force: < 150 Nm
- Servo-Actuation: Door opens automatically when pushed slightly.
- Reverse function in opening and closing direction
- Integrated program selector:

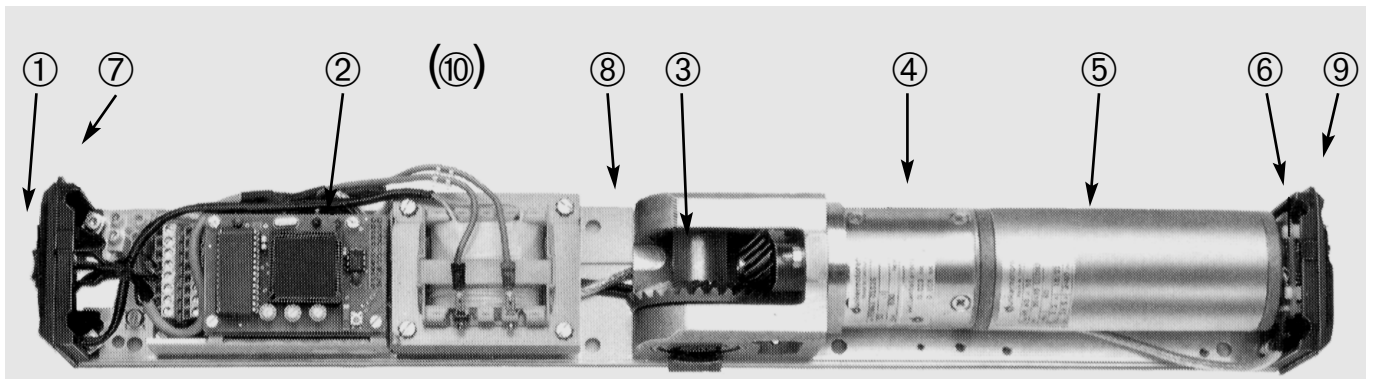
Position II	=	Automatic mode
Position I	=	Permanently open
Position 0	=	Off
- Adjustable opening and closing speed: 25°-45°/sec.

System description

- Hold-open time: adjustable, 0-60 sec.
- Actuation delay time: adjustable, 0-10 sec.
- Latching force: adjustable
- Supply voltage: for external devices 24 V DC, 800 mA
- Crawling speed: 4°/sec. in learning phase and when obstruction detected (safety device)
- Connections:
 - Actuators:
 - Infrared movement detector
 - Radar movement detector
 - Radar movement detector (directional)
 - Key operated switch
 - Pull switch
 - Foot-contact switch
 - Pushbutton
 - Surface switch
 - Contact threshold
 - Remote control
 - Contact sensor
 - Safety sensor: If the „open“ safety sensor is used, movement of the door is stopped as soon as the sensors register an obstacle.
 - Electric door strike: 24 V DC fail safe or secure
 - Lock switch contact: Must be installed in the strike plate if the door is to be manually locked.
 - Program selector, external: With 3 settings: automatic mode, permanently open, night time setting

System description TSA 150 E

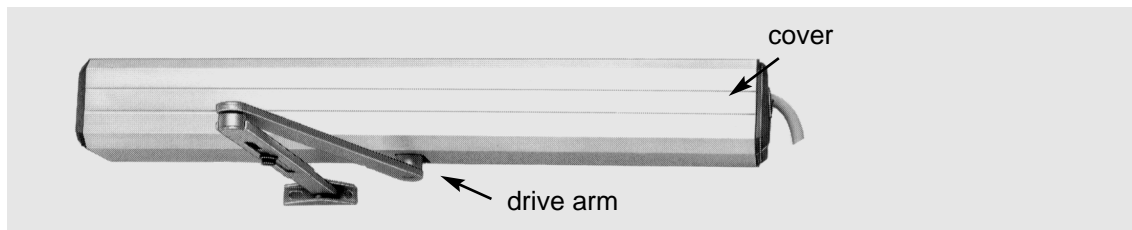
TSA 150 E, 230/240 AC, 50/60 Hz,
without cover



- ① Program switch (0=OFF, I=DO, II=OPEN)
- ② Electronics unit with transformer 230 V
- ③ Bevel-gear set
- ④ Reduction gear box
- ⑤ DC motor
- ⑥ Motor speed sensor
- ⑦ End plate
- ⑧ Base plate
- ⑨ End plate
- ⑩ Electronics unit without transformer 24 V (Optional version)

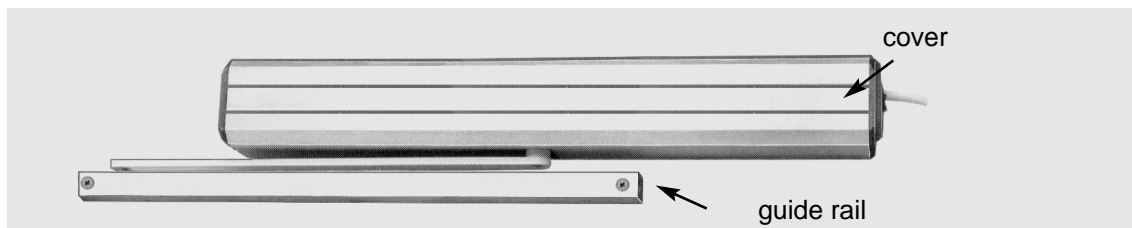
Drive unit variants TSA 150 E

- Drive unit with cover and standard drive arm - pushing (DIN left, opening width max. 115°)



or

- Drive unit with cover, guide rail and lever - pulling (DIN right, opening width approx. 95°)

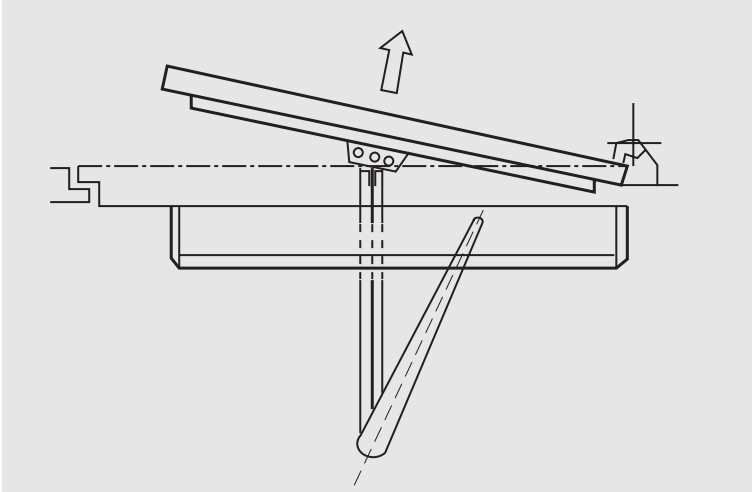


- Door stop, type B

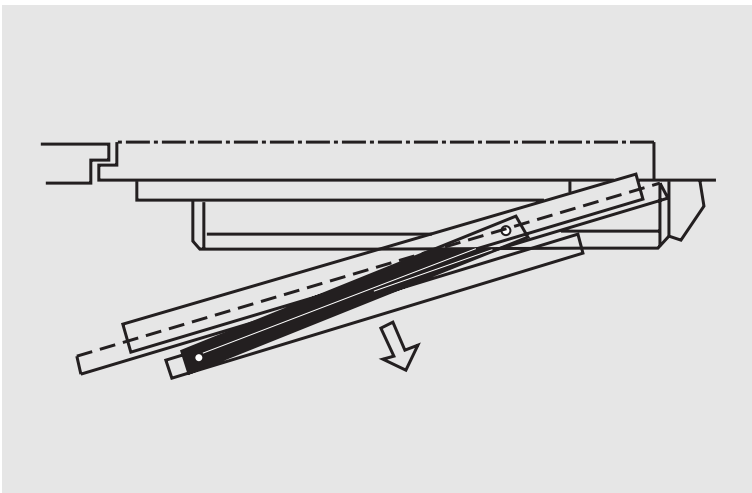
Options

- Axle extension: 5, 10, 15, 20, 25 and 30 mm
- Base plate for mounting to drive unit, L = 530 mm
- Program switch, external
- Activators
- Safety sensors
- Main switch
- Emergency OFF switch

Mounting examples TSA 150 E



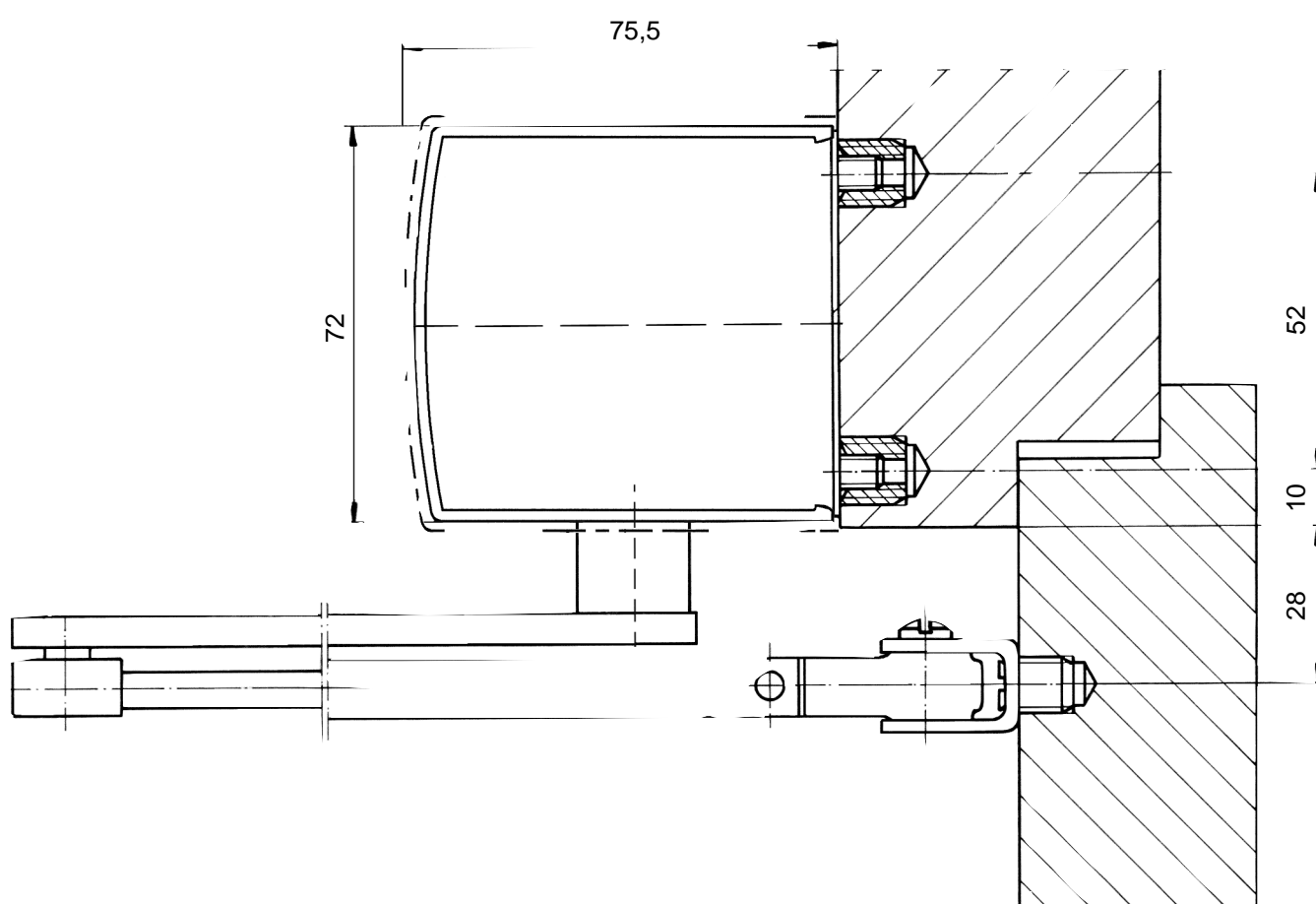
Door leaf DIN left
Drive unit opposite hinge side,
pushing



Door leaf DIN right
Drive unit hinge side, pulling

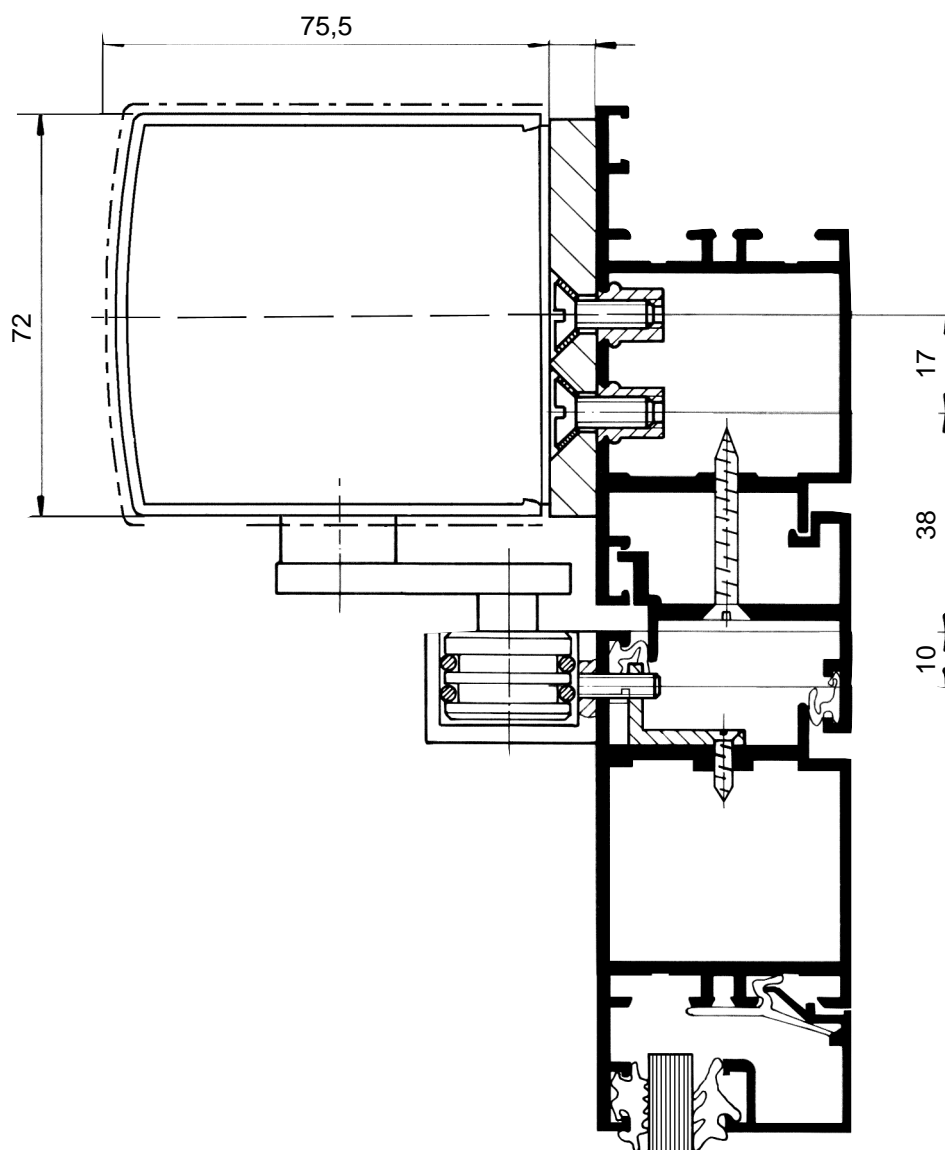
Installation variants TSA 150 E

Mounted to lintel on opposite hinge side,
with standard drive arm,
in opening direction, pushing



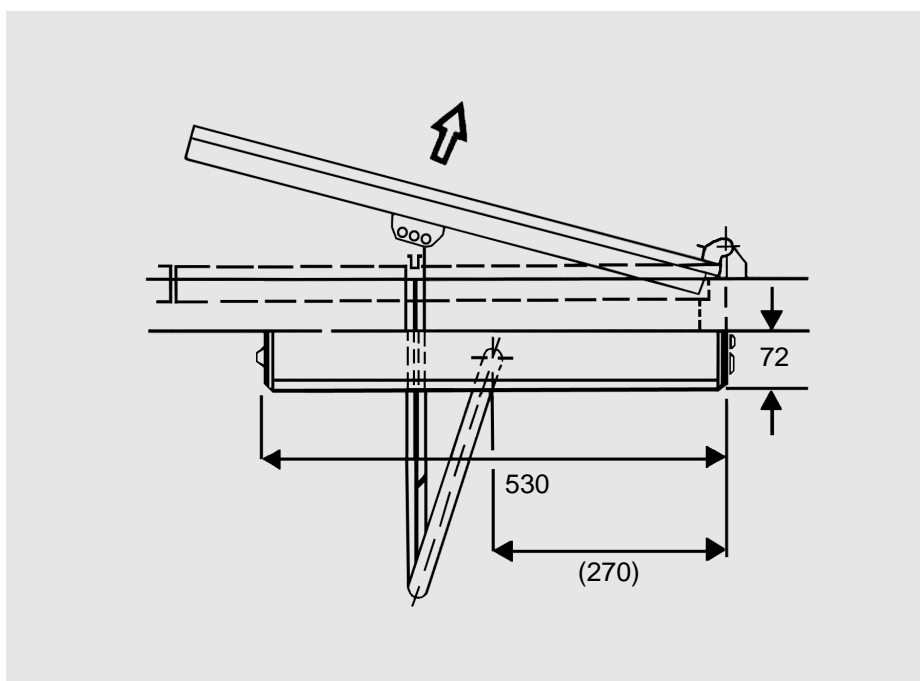
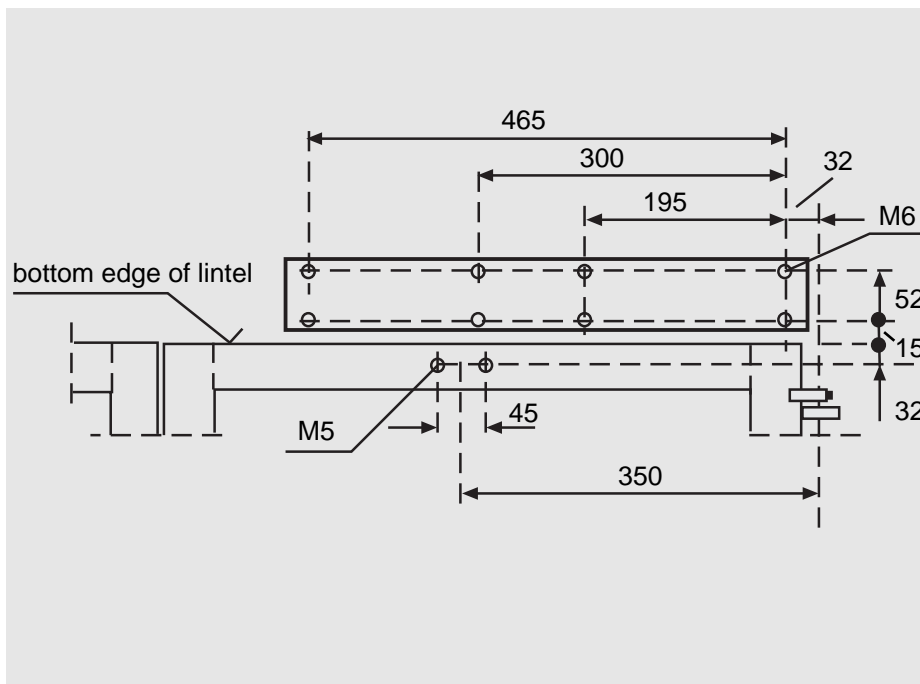
Installation variants TSA 150 E

Mounted to lintel on hinge side,
 with guide rail,
 in opening direction, pulling (with flush doors)
 (overlap max. 20 mm)
 (base plate, optional)



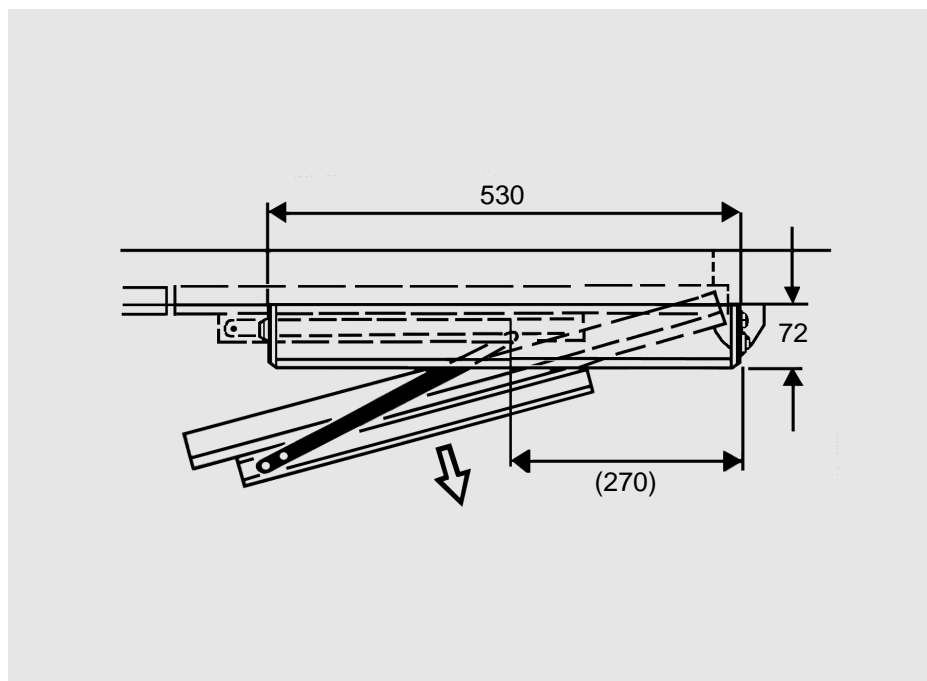
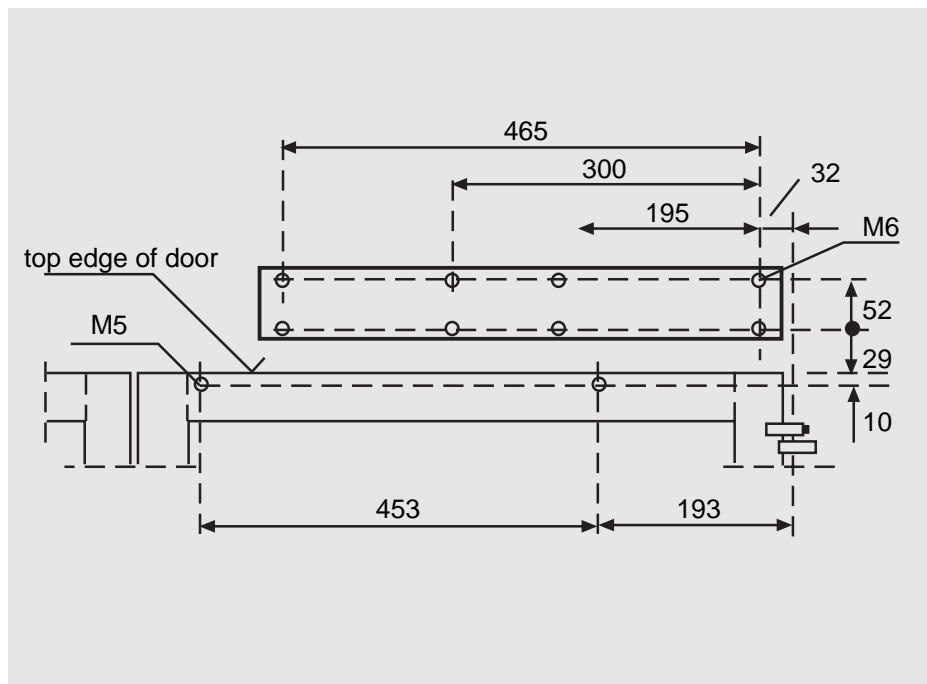
Mounting dimensions TSA 150 E

Drawing
DIN left, pushing
(DIN right, mirror image)



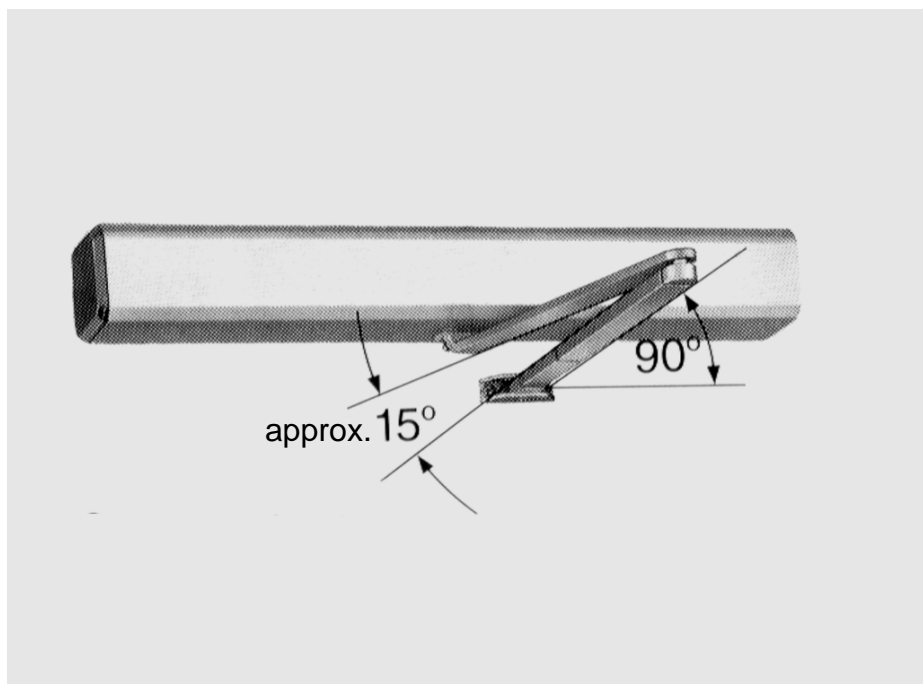
Mounting dimensions TSA 150 E

Drawing
 DIN right, pulling
 (DIN left, mirror image)

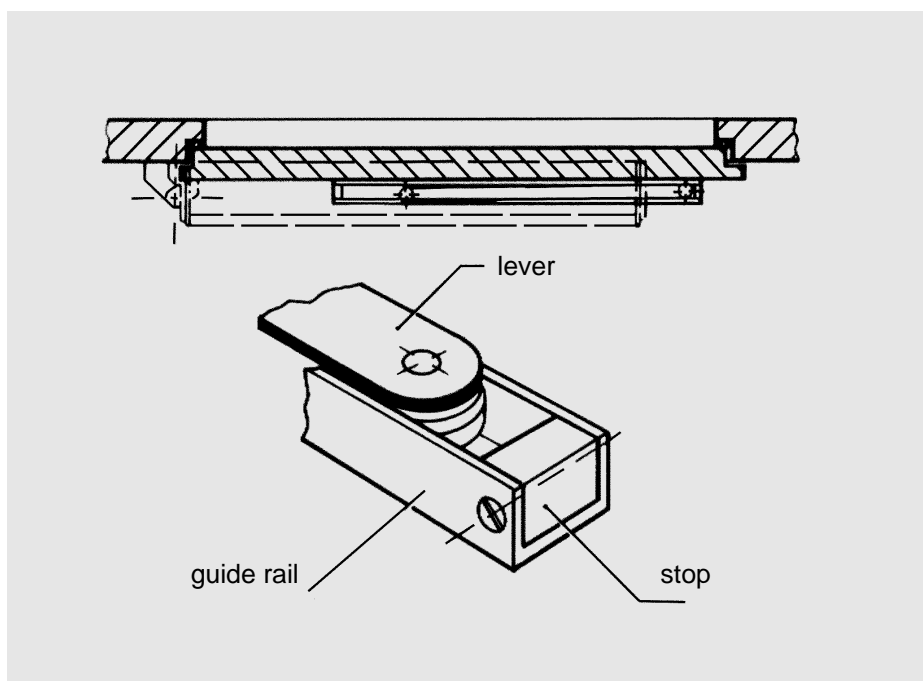


Mounting dimensions TSA 150 E

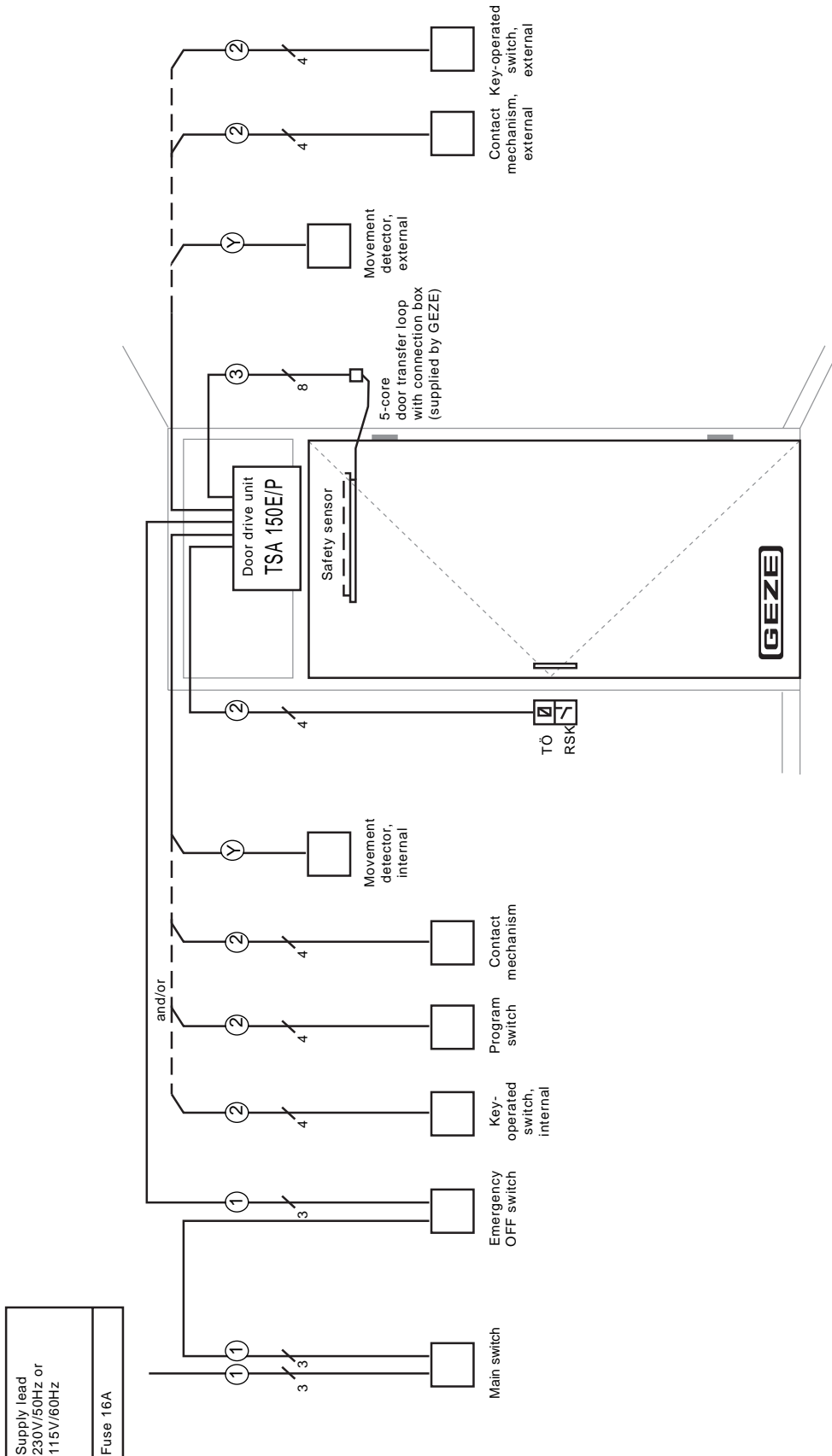
Drive arm, pushing



Guide rail, pulling



Cable plan: TSA 150 E / TSA 150 P



Cable cross-sections

- ① = NYM-J 3 x 1,5mm
- ② = I-Y(ST)Y 2x2x0,6mm
- ③ = I-Y(ST)Y 4x2x0,6mm
- Ⓨ = Hollow tube D= 16mm
- * = For pressure-wave switch 70417/1-1006, 70418/1-165 oder 70701/1-TS100/132 hollow tube with D=16mm

Note

All warranty and service agreements become invalid in the case of combinations including third-party products.

At least 500mm of cable must be applied for mains connection.

Abbreviations

- TÖ = Electric strike
- RSK = Lock contact switch

GEZE GmbH
P.O. Box 1363
71226 Leonberg
Germany

GEZE GmbH
Reinhold-Vöster-Str. 21-29
71229 Leonberg
Germany
Tel. +49 (0) 7152 - 203 - 0
Fax +49 (0) 7152 - 203 - 310

GEZE Online:
www.geze.com

GEZE Branches

Germany

GEZE GmbH

Niederlassung Nord/Ost
Bühningstr. 8
13086 Berlin (Weissensee)
Tel. +49 (0) 30 - 47 89 90 - 0
Fax +49 (0) 30 - 47 89 90 - 17
E-Mail: berlin.de@geze.com

GEZE GmbH

Niederlassung West
Nordsternstraße 65
45329 Essen
Tel. +49 (0) 2 01 - 8 30 82-0
Fax +49 (0) 2 01 - 8 30 82-20
E-Mail: essen.de@geze.com

GEZE GmbH

Niederlassung Mitte
Adenauerallee 2
61440 Oberursel
Tel. +49 (0) 6171 - 6 36 10 - 0
Fax +49 (0) 6171 - 6 36 10 - 1
E-Mail: frankfurt.de@geze.com

GEZE GmbH

Niederlassung Süd
Reinhold-Vöster-Straße 21-29
71229 Leonberg
Tel. +49 (0) 7152 - 203 - 5 94
Fax +49 (0) 7152 - 203 - 4 38
E-Mail: leonberg.de@geze.com

Subsidiaries

Germany

GEZE Sonderkonstruktionen GmbH

Planken 1
97944 Boxberg-Schweigern
Tel. +49 (0) 79 30- 92 94-0
Fax +49 (0) 7930- 92 94-10
E-mail: sk.de@geze.com

GEZE SERVICE GmbH

Reinhold-Vöster-Str. 25
71229 Leonberg
Te. +49 (0) 7152- 92 33-0
Fax +49 (0) 7152- 92 33-60
E-Mail: info@geze-service.com

GEZE SERVICE GmbH

Niederlassung Berlin
Bühningstraße 8
13086 Berlin (Weissensee)
Tel. +49 (0) 30- 47 02 17 30
Fax +49 (0) 30- 47 02 17 33

Asia

GEZE Asia Pacific Ltd.

Unit 630, Level 6, Tower 2
Grand Central Plaza
138 Shatin Rural Committee Road
Shatin, New Territories
Hong Kong
Tel. +852 (0)23 75 73 82
Fax +852 (0)23 75 79 36
E-Mail: info@geze.com.hk

GEZE Industries (Tianjin) Co., Ltd.

Shuangchenzhong Road
Beichen Economic Development Area (BEDA)
Tianjin 300400, P.R. China
Tel. +86 (0)22-26 97 39 95-0
Fax +86 (0)22-26 97 27 02
E-Mail: geze@public1.tpt.tj.cn

GEZE Industries (Tianjin) Co., Ltd.

Branch Office Shanghai
Dynasty Business Center
Room 401-402
No. 457 WuRuMuQi North Road
200040 Shanghai, P.R. China
Tel. +86 (0)21 52 34 09-60/-61/-62
Fax +86 (0)21 52 34 09-63
E-Mail: gezesh@geze.com.cn

GEZE Industries (Tianjin) Co., Ltd.

Branch Office Guangzhou
Room 1113 Jie Tai Plaza
218-222 Zhong Shan Liu Road
510180 Guangzhou, P.R. China
Tel. +86 (0)20 81 32 07 02
Fax +86 (0)20 81 32 07 05
E-Mail: gezegz@public2.sta.net.cn

GEZE Industries (Tianjin) Co., Ltd.

Branch Office Beijing
The Grand Pacific Building
B Tower Room 201
8A, Guanghua Road
Chaoyang District
100026 Beijing, P.R. China
Tel. +86 (0)10 65 81 57-32/-42/-43
Fax +86 (0)10 65 81 57-33
E-Mail: gezebj@geze.com.cn

GEZE Asia Sales Ltd.

No. 88-1-408, East Road
Free Trade Zone of Tianjin Port
Tianjin, P.R. China
Tel. +86 (0)22-26 97 39 95-0
Fax +86 (0)22 26 97 27 02
E-mail: geze@public1.tpt.tj.cn

GEZE Asia Pacific Ltd.

Branch Office Singapore
Level 4
177 Kaki Bukit Avenue 1
Shun Li Industrial Park
Singapore 416023
Tel. +65 6846 1338
Fax +65 6846 9353
E-mail: info@geze.com.hk

Middle East

U.A.E

GEZE Middle East
P.O. Box 17903
Jebel Ali Free Zone
Dubai, U.A.E.
Tel. +971 (0)4 88 33 112
Fax +971 (0)4 88 33 240
E-Mail:geze@emirates.net.ae

Europe

France

GEZE France S.A.R.L.
ZAC de l'Orme Rond
RN 19
77170 Servon
Pol. +33 1 60 62 60 70
Fax +33 1 60 62 60 71
E-mail: france.fr@geze.com

Great Britain

GEZE UK Ltd.
Blenheim Way
Fradley Park
Lichfield
Staffordshire, WS13 8SX
Tel. +44 (0) 1543-443000
Fax +44 (0) 1543-443001
E-Mail: geze.uk@geze.com

Italy

GEZE Italia Srl
Via Giotto 4
20040 Cambiagio (Mi)
Tel. +39 (0)02 95 06 95-11
Fax +39 (0)02 95 06 95-33
E-Mail: italia.it@geze.it

GEZE Engineering Roma Srl

Via Lucrezia Romana 91
00178 Roma
Tel. +39 (0)06 72 65 31 1
Fax +39 (0)06 72 65 31 36
E-Mail: gezeroma@libero.it

GEZE Engineering Bari Srl

Via Treviso 58
70022 Altamura (Bari)
Tel. +39-(0)80-31 15 21 9
Fax +39-(0)80-31 64 56 1
E-Mail: gezebari@libero.it

Benelux

GEZE Benelux B.V.
Industrieterrein, Kapelbeemd,
Leemkuil 1,
5626 EA Eindhoven
Tel. +31- 40 26 29 08 0
Fax +31 - 40 26 29 08 5
E-Mail: benelux.nl@geze.com

Austria

GEZE Austria GmbH
Mayrwiesstraße 12
5300 Hallwang b. Salzburg
Tel. +43 (0)662 66 31 42
Fax +43 (0)662 66 31 42-15
E-Mail: austria.at@geze.com

Poland

GEZE Polska Sp.z o.o.
ul. Annapol 3 (Zeran Park)
03-236 Warszawa
Tel. +48 (0) 22-814 22 11
Fax +48 (0) 22-614 25 40
E-mail: geze@geze.pl

Schweizerland

GEZE Schweiz AG
Bodenackerstr. 79
4657 Dulliken
Tel. +41 (0) 62-285 54 00
Fax +41 (0) 62-285 54 01
E-Mail: schweiz.ch@geze.com

Spain

GEZE Iberia S.R.L.
Pol. Ind.El Pla
C/ Comerc, 2-22, Nave 12
08980 Sant Feliu de Llobregat
(Barcelona)
Tel. +34 (0)9-02 19 40 36
Fax +34 (0)9-02 19 40 35
E-Mail: iberia.es@geze.com

Skandinavia

Sweden

GEZE Scandinavia AB
Mallsingan 10
Box 7060
18711 Täby
Tel. +46 (0) 8 - 732 34 - 00
Fax +46 (0) 8 - 732 34 - 99
E-Mail: sverige.se@geze.com

Norway

GEZE Scandinavia AB avd. Norge
Postboks 63
2081 Eidsvoll
Tel. +47 (0)639 572 00
Fax +47 (0)639 571 73
E-Mail: norge.se@geze.com

Finnland

GEZE Finland
Branch office of GEZE Scandinavia AB
Postbox 20
158 71 Hollola
Tel. +385 (0)10-400 5100
Fax +385 (0)10-400 5120
E-Mail: finland.se@geze.com

Your attention is drawn to the 'product liability law' defined liability to the manufacturer for this products which are contained in the main catalogue (product information, usage, misuses, product activity, product maintenance, the duty to inform and the duty to instruct). Non compliance with these conditions relieves the manufacturer from any liability.

GEZE Representative:

