



Johanniter Nursing Home, Berlin

## GEZE Fanlight Opening Systems

Slimline opener OL90 N, OL95 and OL100



## Product Overview

The manually powered window opening systems are used for daily comfort ventilation. The GEZE slimline scissors open fanlights with opening widths of up to 260 mm.

The range of application covers vertically installed inward opening rectangular bottom-up or top hung casements and vertically installed outward opening top hung windows. Furthermore vertically installed inward opening special shapes, as angular, triangular, arched and segmental arched windows.

The GEZE fanlight opening systems are characterised by their easy operation and easy installation.

### Slimline opener OL90 N



Fig. 2-1

### Slimline opener OL95



Fig. 2-2

### Slimline opener OL100



Fig. 2-3

# Contents

## **Manually operated fanlight opening systems**

Slimline fanlight opener OL90 N .....	5
Slimline fanlight opener OL95.....	20
Accessory OL90 N / OL95 .....	24
Slimline fanlight opener OL100 .....	35
Accessory OL100 .....	39
Accessory .....	43

## **Electrical fanlight opening systems**

Electric linear drives E212 R, E212 R1 und E205 .....	45
Overview .....	50

# Preamble

## Service and Maintenance

According to MBO regulation constructors respectively owners, as a basic principle, are obliged to provide correct maintenance, as "buildings and structures ...() have to be designed, installed, modified and maintained in such a way, that law and order, in particular life, health and the natural resources on which life depends are not endangered". Building products may not be used without proper maintenance (please compare §3 clause 1 and 2 MBO).

The constructor respectively the awarding authority has to worry about the maintenance, care and service on his own initiative. All construction parts have to be checked regularly with regards to damages or deformation. The operating company of a ventilation system is obliged to provide all necessary preventive measures in order to avert danger from persons and objects, which are inside the building. By arranging for a regular service of the ventilation systems and thus assuring their functionality, he importantly reduces the real risk of damage and at the same time his risk of liability in case of damage. According to manufacturer's data, the service for GEZE ventilation systems has to be conducted under consideration of the specific operation conditions – but at least once a year. In particular electrically operated fanlight opening systems have to be serviced by an authorised specialist.

### A selection of regulations and laws

#### Basic Constitutional Law Article 2:

"Everybody has the right of physical integrity."

#### MBO § 3, Article 1 (as amended in November 2002)

"Installations have to be designed, installed, modified and maintained in such a way, that law and order, in particular life, health or the natural resources on which life depends, are not endangered."

## Important Hints

- ▶ During installation and dismantling of the drive the window is not secured against tilting or slamming!
- ▶ The abidance to each local building regulation in force as well as to the generally valid accident prevention regulations, DIN standards and VDE regulations has to be assured.
- ▶ In addition the the guidelines for power-operated windows, doors and gates BGR 232 issued by the "Hauptverband der gewerblichen Berufsgenossenschaften, Zentralstelle für Unfallverhütung und Arbeitsmedizin" (association of commercial and industrial workers' compensation insurance carriers, central office for the prevention of accidents and occupational medicine) are valid for electrically operated fanlight opening systems.
- ▶ All mounting and installation operations have to be carried out by specialised staff. Mounting (mech.): by specialised window fitter or metal worker. Installation (electrical): by a qualified electrical installation firm.
- ▶ For further hints concerning installation, starting up or maintenance, please refer to our installation drawings and connecting diagrams.
- ▶ In the case of inward or outward opening bottom hung casements, in addition to the fanlight fitting security scissors have to be provided, which limit the tilt movement after unhinging of the scissor (please see GEZE FPS safety and cleaning device).

# GEZE OL90 N

Surface-mounted slimline fanlight opener for vertically mounted, inward opening, rectangular windows with opening width of 170 mm



GEZE slimline fanlight opener OL90 N



Fig. 5-1

**Product features**

- ▶ Large opening width: 170 mm
- ▶ Full opening width possible with all casement heights
- ▶ Slimline design with clear line management
- ▶ Fast and easy fitting from front
- ▶ All fixing screws concealed
- ▶ Minimal clearance at window frame and casement
- ▶ Locking mechanism integrated in scissor stay
- ▶ Easily adjustable latching force setting with automatic compensation of frame inaccuracies
- ▶ Easy scissor disengagement through release button, e.g. for window cleaning
- ▶ Rod assembly not sensitive to tolerances
- ▶ All units pre-assembled
- ▶ Easy and clearly arranged warehousing of available variants for special window shapes and operation modes, e.g. with hand lever or electrical drive.

This fanlight opener is suitable for vertically mounted inward opening rectangular bottom or top or side hung and pivoted sash windows made of timber, plastic or light alloy. Due to the flat design and rod assembly only minimal clearance above and to the side of the casement is required.

The installation simple since scissors and rod assembly can be mounted from the front. The appearance of the façade remains unchanged. The locking mechanism of the scissor ensures a safe locking of the casement.

It is easy to disengage the scissors for cleaning the inside and outside of the windows.

**RAL-Quality mark**



Fig. 5-2

All GEZE slimline fanlight openers do comply with the high requirements of the RAL-quality mark and the demanding RAL-quality level.

**Units**



Fig. 5-3

- ▶ 1 slimline scissor
- ▶ 1 scissor stay base
- ▶ 1 back plate
- ▶ 1 casement bracket
- ▶ 1 corner transmission
- ▶ 1 cover plate
- ▶ 1 hand lever
- ▶ 2 rod guides

plus:  
▶ Rods and cover profiles

**Technical data**

Technical product description	
Space required on top	19 - 27 mm
Casement width *	min. 380 mm
	1 scissor max. 1200 mm
	2 scissors max. 2400 mm
3 scissors	max. 3600 mm
Casement height	min. 250 mm
Opening width max.	170 mm
Fitting travel	54 mm
Casement weight max.	80 kg
Max. panel weight	casement width:
	380 to 2400 mm: 30kg/m <sup>2</sup> 2400 to 3600 mm: 25kg/m <sup>2</sup>

\*) The max. casement width depends on the panel weight and the operation mode. For further information please refer to the respective installation drawing.

# GEZE OL90 N

### Application range

- ▶ Only for vertically mounted inward opening rectangular bottom, top, side hung and pivoted sash windows made of wood, plastic or light alloy
- ▶ With overlap depth of 0-25 mm
- ▶ Max. casement weight 80 kg
- ▶ For use in dry areas only

GEZE slimline fanlight opener OL90 N



Fig. 6-1

### Installation drawings

Overall casement width a		max. filling weight
380 - 1200 mm	> 1 Scissor	30 kg/m <sup>2</sup>
1201 - 2400 mm	> 2 Scissors	30 kg/m <sup>2</sup>
2401 - 3600 mm	> 3 Scissors	25 kg/m <sup>2</sup>

### Fitting dimensions for scissors

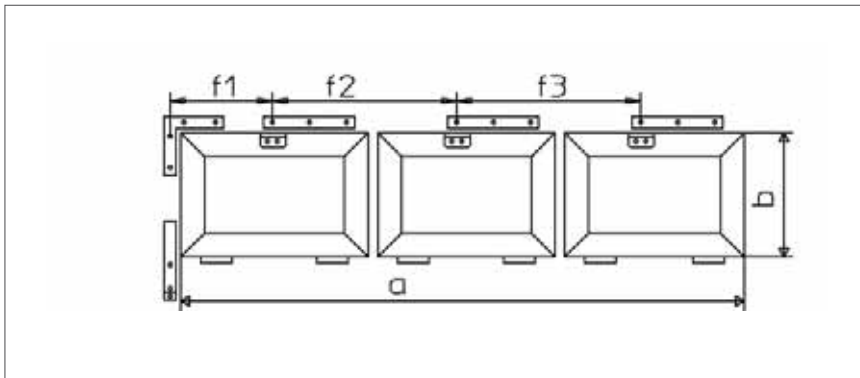


Fig. 6-2

### Overlap depth / Distance dimension

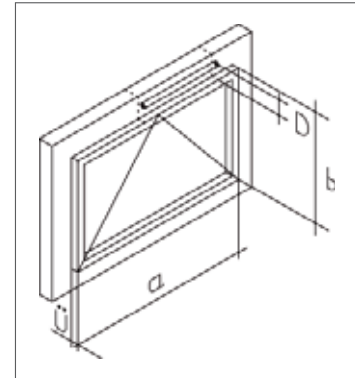


Fig. 6-3

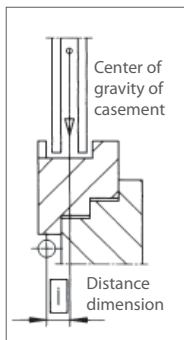


Fig. 6-4

### Explanations

- i = Distance from centre of gravity to casement pivot point:  
10 to 60 mm
- ü = Overlap depth 0 – 25 mm
- D = Distance outer edge of casement to middle of drive rod
- X = Space required at side D+10 mm
- Y = Space required on top
- F1, F2, F3 = Fitting dimensions for scissors

### Dimension D and space required on top

Casement height b	Fitting dimension - D min	Upper space required Y
250-300	16 - 18 mm	D + 9
301-400	14 - 18 mm	D + 9
401-500	12 - 18 mm	D + 9
501-	10 - 18 mm	D + 9

### Dimension D and space required with supplementary locking device

#### Dimension D

- ▶ top without supplementary locking device 10-18 mm
- ▶ top with supplementary locking device 16 mm
- ▶ side min. 10 mm
- ▶ Space requirement top and side: D +9 mm

# GEZE OL90 N

## Installation drawings

GEZE slimline fanlight opener OL90 N for aluminium window with overlap

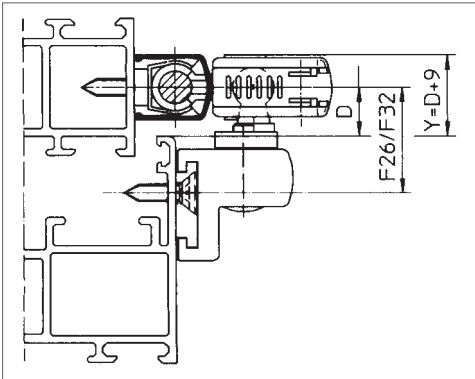


Fig. 7-1

GEZE slimline fanlight opener OL90 N for aluminium window with flush frame

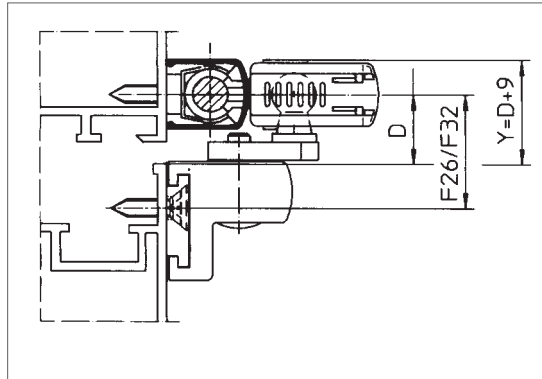


Fig. 7-2

GEZE slimline fanlight opener OL90 N for timber window Euro slot

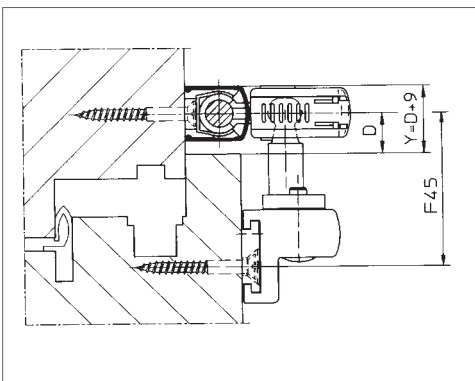


Fig. 7-3

GEZE slimline fanlight opener OL90 N for plastic window

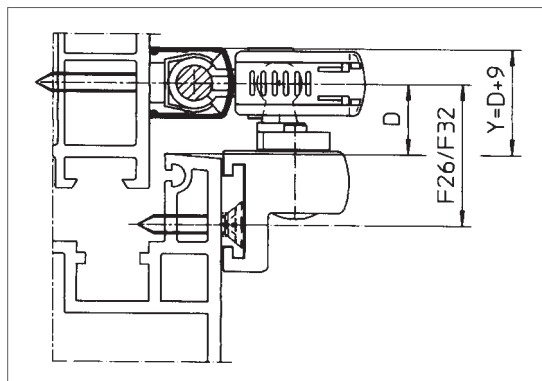


Fig. 7-4

## Article number of installation drawing

	OL90 N
Installation drawing	40444-EP-001

## Installation location

Johanniter Nursing Home, Berlin



Fig. 7-5

# GEZE OL90 N for special shapes

## Slimline fanlight opener for angular windows



GEZE slimline fanlight opener OL90 N



Fig. 8-1

### Product characteristics

- ▶ Large opening width of 170 mm
- ▶ Full opening width possible with all casement heights
- ▶ Slimline design with clear line management
- ▶ Fast and easy mounting from front
- ▶ All fixing screws concealed
- ▶ Minimal clearance at window frame and casement
- ▶ Locking mechanism in scissor stay
- ▶ Easily adjustable latching force setting with automatic compensation of frame inaccuracies
- ▶ With trigger device – that makes it easy to disengage scissors, e. g. for cleaning
- ▶ Clamping connections of rod assembly not sensitive to tolerances
- ▶ Completely pre-assembled units

### Application area

- ▶ For vertically installed angular bottom hung casements inward opening made of timber, plastic or light alloy with overlap heights of 0-25 mm
- ▶ Max. casement weight 80 kg
- ▶ Max. panel weight 30 kg/m<sup>2</sup>
- ▶ Only one scissor per window may be installed
- ▶ An additional locking devices is recommended for casement widths of over 1000 mm

This slimline fanlight opener is suitable for vertically installed angular bottom hung windows inward opening made of timber, plastic or light alloy. With the help of bendable corner transmissions different angles can be achieved.

The flat design of the scissors and the rod assembly only require minimal space on top and to the side of the casement. The installation is simple since scissors and rod assembly can be mounted from the front. The appearance of the façade remains unchanged. The locking of the scissors assures secure casement lock. The easy scissor disengagement allows window cleaning from inside or outside.

### RAL-Quality mark



Fig. 8-2

All GEZE slimline fanlight openers do comply with the high requirements of the RAL-quality mark and the demanding RAL-quality level.

### Units

With hand lever basic fitting for angular windows comprising:

- ▶ 1 slimline scissor
- ▶ 1 scissor bearing
- ▶ 1 fixing plate for angular windows
- ▶ 1 casement bracket for angular windows
- ▶ 1 bendable corner transmission
- ▶ 1 hand lever
- ▶ 2 rod guides
- ▶ plus: rods and cover profiles

### Window shapes and permitted dimensions

□	b min.	a min.
until 30°	400	420
30° - 40°	550	360
40° - 50°	650	320
50° - 60°	750	270
Special case □		
min. 60° *	600	420

\* Limit range (to be avoided if possible)

Shapes of windows and permitted dimensions against inclination angle (bending angle of corner transmission) Max. length of angular side P=2000 mm

# GEZE OL90 N for special shapes

Installation drawings with dimension D and space requirement

	$\alpha = \text{to } 60^\circ$ (Normal case)	$\beta = \text{min. } 60^\circ$ (Special case)
Casement weight max..	80 kg	40 kg
Panel weight max.	30 kg/m <sup>2</sup>	25 kg/m <sup>2</sup>
P	420 to 2000 mm	420 to 1000 mm

	Dimension D at top	Space requirement Y at top
With additional lock	10 to 18 mm 16 mm	D + 9 mm D + 9 mm

	Dimension D at side	Space requirement X at side
Hand lever	min. 10 mm	D + 10 mm

Angular window

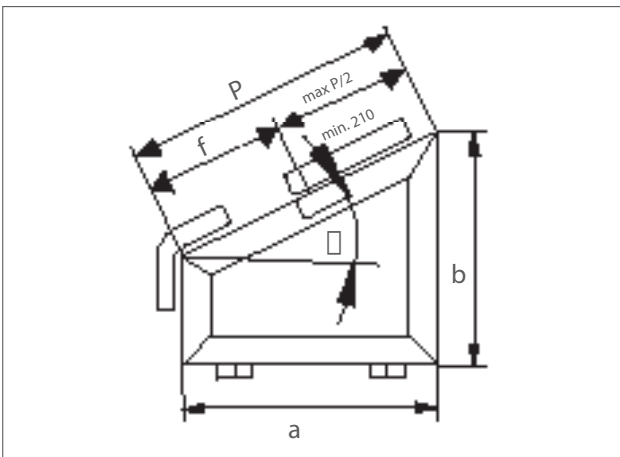


Fig. 9-1

Special case angular window

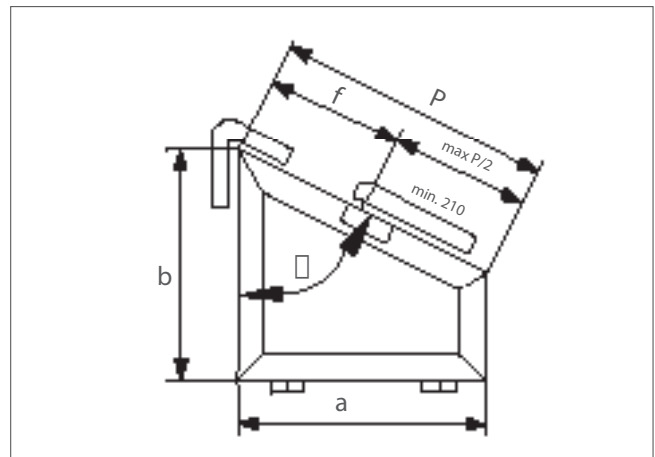


Fig. 9-2

Angular window

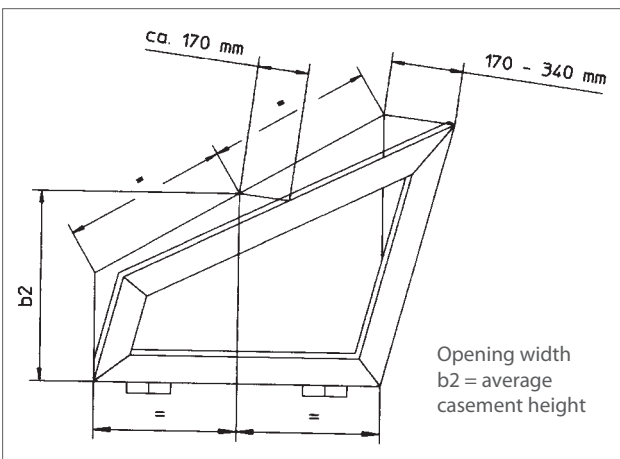


Fig. 9-3

Explanations

- i = Distance from center of gravity to casement pivot point of hinge:
- ü = Overlap depth 0 – 25 mm
- D = Outer edge of casement to middle of drive rod
- X = Space requirement at side D + 10 mm
- Y = Space requirement at top
- $\alpha, \beta =$  Linkage angle if corner guide, downtilt
- f = Fitting dimension for scissor stay
- P = Length of angled leg
- a = Casement width (please see table);  $\leq 2000$  mm, in case a is above 1000 mm supplementary locking devices are recommended
- b = Casement height (please see table)

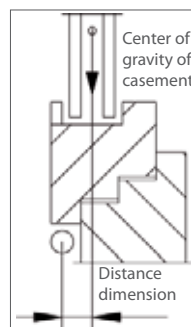


Fig. 9-4

# GEZE OL90 N for special shapes

Fitting systems and minimum sizes

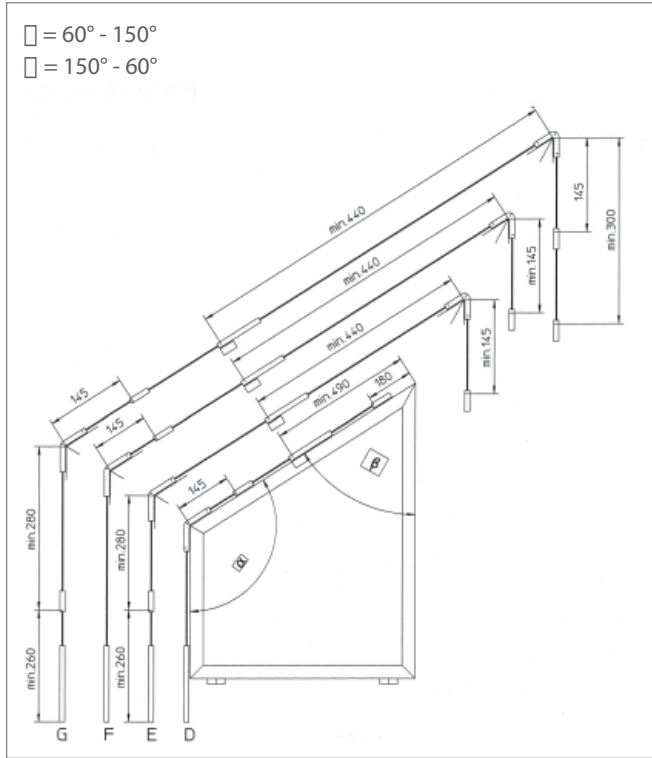


Fig. 10-1

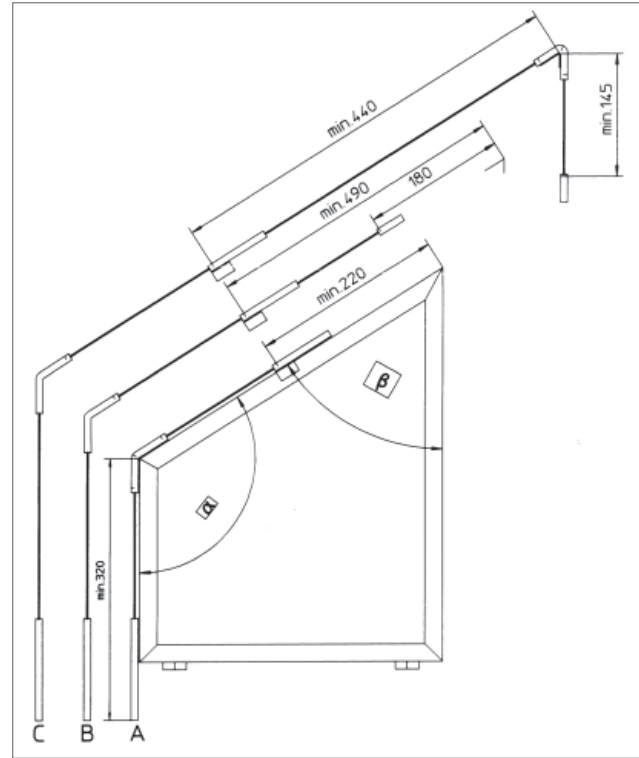


Fig. 10-2

- A: Hand lever - Corner transmission - Scissor
- B: Hand lever - Corner transmission - Scissor – Locking device
- C: Hand lever - Corner transmission - Scissor - Corner transmission – Locking device
- D: Hand lever - Corner transmission – Locking device - Scissor – Locking device
- E: Hand lever - Corner transmission – Locking device - Corner transmission - Scissor - Corner transmission – Locking device
- F: Hand lever - Corner transmission – Locking device - Scissor – Corner transmission – Locking device
- G: Hand lever – Locking device - Corner transmission – Locking device - Scissor - Corner transmission – Locking device – Locking device

Article number of installation drawing

	OL90 N for angular windows
Installation drawing	40444-EP-006

# GEZE OL90 N for special shapes

## Slimline fanlight opener for triangular windows



GEZE Slimline fanlight opener OL90 N



Fig. 11-1

### Product characteristics

- ▶ Large opening width of 170 mm
- ▶ Full opening width possible with all casement heights
- ▶ Slimline design with clear line management
- ▶ Fast and easy mounting from front
- ▶ All fixing screws concealed
- ▶ Minimal clearance at window frame and casement
- ▶ Locking mechanism in scissor stay
- ▶ Easily adjustable latching force setting with automatic compensation of frame inaccuracies
- ▶ With trigger device – that makes it easy to disengage scissors, e. g. for cleaning
- ▶ Clamping connections of rod assembly not sensitive to tolerances
- ▶ Completely pre-assembled units

### Application area

- ▶ For vertically installed bottom hung windows inward opening for semi arched and segmental-arch windows made of timber, plastic or light alloy with overlap heights of 0-25 mm
- ▶ Max. casement height 80 kg
- ▶ Max. panel weight 30 kg/m<sup>2</sup>
- ▶ Only one scissor may be installed per window
- ▶ For a casement width above 1000 mm supplementary locks are recommended

This slimline fanlight opener is suitable for vertically installed triangular bottom hung windows with inward opening made of timber, plastic or light alloy. With the help of bendable corner transmissions different angles can be achieved.

The flat design of the scissors and the rod assembly only require minimal space on top and to the side of the casement. The installation is simple since scissors and rod assembly can be mounted from the front. The appearance of the façade remains unchanged. The locking of the scissors assures secure casement lock. The easy scissor disengagement allows window cleaning from inside or outside.

### RAL-Quality mark



Fig. 11-2

All GEZE slimline fanlight openers do comply with the high requirements of the RAL-quality mark and the demanding RAL-quality level.

### Units

With hand lever, basic fitting for triangular windows comprising:

- ▶ 1 slimline scissor stay
- ▶ 1 scissor bearing
- ▶ 1 fixing plate for angular windows
- ▶ 1 casement bracket for angular windows
- ▶ 1 bendable corner transmission
- ▶ 1 hand lever
- ▶ 2 rod bearings
- ▶ plus: rods and cover profiles

### Window shapes and permissible dimensions

□	b min.	a min.	a1 min
Up to 30°	400	420	700
30° - 40°	550	360	650
40° - 50°	650	320	550
50° - 60°	750	270	450
Special case □			
min. 60°	600	420	-

\* Limit range (should be avoided, if possible)

Window shapes and permissible dimensions do depend on linkage angle a (linkage angle of corner transmission)

Max. length of angular side P=2000 mm

# GEZE OL90 N for special shapes

Installation drawing dimension D and space requirement

	$\alpha = \text{until } 60^\circ$ (Normal case)	$\beta = \text{min. } 60^\circ$ (Special case)
Casement weight max.	80 kg	40 kg
Panel weight max.	30 kg/m <sup>2</sup>	25 kg/m <sup>2</sup>
P	420 to 2000 mm	420 to 1000 mm

	dimension D at top	space requirement Y at top
with supplementary lock	10 to 18 mm 16 mm	D + 9 mm D + 9 mm

Drain	dimension D at side	space requirement
Hand lever	min. 10 mm	D + 10 mm

## Triangular window

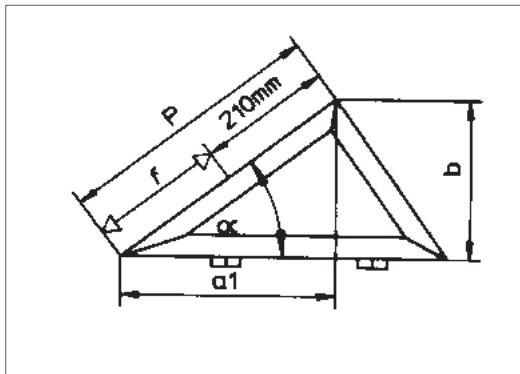


Fig. 12-1

## Explanations

- i = Distance from centre of gravity to casement pivot point of hinge: 10 to 60 mm
- ü = Overlap depth 0 – 25 mm
- D = Outer edge of casement to middle of drive rod
- X = Space requirement at side D+10 mm
- Y = Space requirement at top
- , □ = Linkage angle of corner guide, downtilt
- f = Fitting dimension for scissor stay
- P = Length of angled leg
- a = Casement width (please see table); ≤ 2000 mm, in case a is above 1000 mm supplementary locking devices are recommended
- b = Casement height (please see table)

## Article number of installation drawing

	OL90 N for triangular windows
Installation drawing	40444-EP-006 40444-EP-012

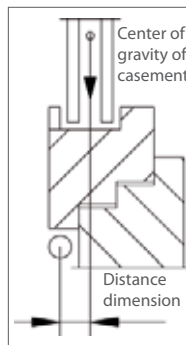


Fig. 12-2

# GEZE OL90 N for special shapes

## Slimline fanlight opener for semi arched and segmental arched windows



GEZE Slimline fanlight opener OL90 N



Fig. 13-1

### Product characteristics

- ▶ Large opening width of 170 mm
- ▶ Full opening width possible with all casement heights
- ▶ Slimline design with clear line management
- ▶ Fast and easy mounting from front
- ▶ All fixing screws concealed
- ▶ Minimal clearance at window frame and casement
- ▶ Locking mechanism in scissor stay
- ▶ Easily adjustable latching force setting with automatic compensation of frame inaccuracies
- ▶ With trigger device – that makes it easy to hang out scissors, e. g. for cleaning
- ▶ Clamping connections of rod assembly not sensitive to tolerances
- ▶ Completely pre-assembled units

### Application area

- ▶ For vertically installed bottom hung casements inward opening as semi arched or segmental arched windows made of timber, plastic or light alloy with overlap heights of 0-25 mm
- ▶ Max. casement weight 80 kg
- ▶ Max. panel weight 30 kg/m<sup>2</sup>

### Technical data Semi-arched windows (angle β greater than 150°)

Technical product description	
Casement width a	500-1300 mm (1300-2400mm)*
Casement height b	300 mm (650 mm)*
Casement weight	max. 80 kg
Panel weight	max. 30 kg/m <sup>2</sup>
Distance from center of gravity to casement pivot point of hinge i	10 to 60 mm
Overlap height Ü	0 - 25 mm
Outer edge of casement to middle of drive rod D	please see table semi arched windows
Space requirement at top Y	please see diagram Fig. 17-1

\* Specification for 2 scissor version

With flexible rods for vertically installed bottom hung casements with inward opening as semi arched or segmental arched windows made of timber, plastic or light alloy.

The flat design of the scissors and the rod assembly only require minimal space on top and on the side of the casement. The installation is simple since scissors and rod assembly can be mounted from the front. The appearance of the façade remains unchanged. The locking of the scissors assures secure casement lock. The easy scissor disengagement allows window cleaning from inside or outside.

### RAL-Quality mark



Fig. 13-2

All GEZE slimline fanlight openers do comply with the high requirements of the RAL-quality mark and the demanding RAL-quality level.

### Units

- ▶ 1 slimline scissor stay
- ▶ 1 scissor bearing
- ▶ 1 fixing plate for angular windows
- ▶ 1 casement bracket for angular windows
- ▶ 1 bendable corner transmission
- ▶ 1 hand lever
- ▶ 2 rod bearings
- ▶ plus: rods and cover profiles

### Dimension D

Casement height b	dimension D at top
300 - 400 mm	12 mm
from 400 mm	10 - 12 mm

Drain	dimension D at side	at side space requirement X
Hand lever	min. 10 mm	D + 10 mm
Vertical drive Fz 91 with*		
Fixed cranking handle	min. 10 mm	D + 9 mm
Removable cranking handle	min. 14 mm	D + 14 mm

\* please see "installation drawings"

# GEZE OL90 N for special shapes

Technical data Segmental-arched windows (angle  $\beta$  smaller than  $150^\circ$ )

Technical product description	
Casement width a	500-1300 mm (1301-2400 mm)*
Casement height b	250 mm (500 mm)*
Casement weight	max. 80 kg
Panel weight	max. 30 kg/m <sup>2</sup>
Distance from center of gravity to casement pivot point of hinge i	10 to 60 mm
Overlap height $\ddot{U}$	0 - 22 mm (0 - 25 mm)*
Outer edge of casement to middle of drive rod D	please see table segmental arched windows
Space requirement at side X	X = Y
Space requirement at top Y	please see diagram Fig. 15-1

Casement height b	dimension D at top	dimension D at side
250 - 300 mm	16 mm	X = 12 mm
300 - 400 mm	12 - 16 mm	
ab 400 mm	10 - 16 mm	

\* Specification for 2 scissor version

Installation drawing for semi arched  
Fitting dimension GEZE OL90 N for semi arched window with 1 scissor

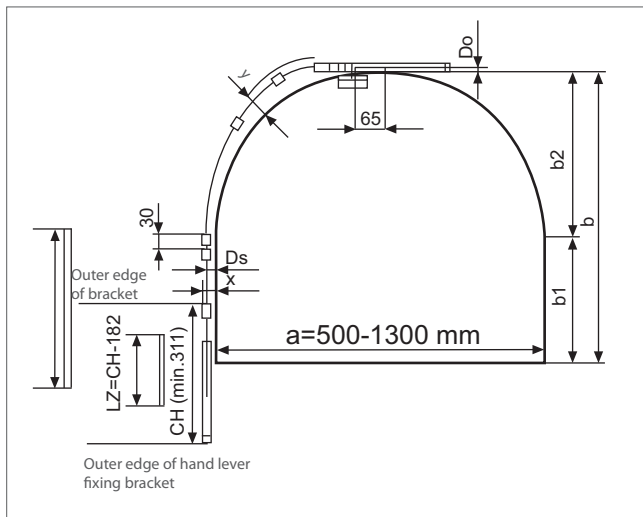


Fig. 14-1

Fitting dimension GEZE OL90 N for semi arched window with 2 scissors

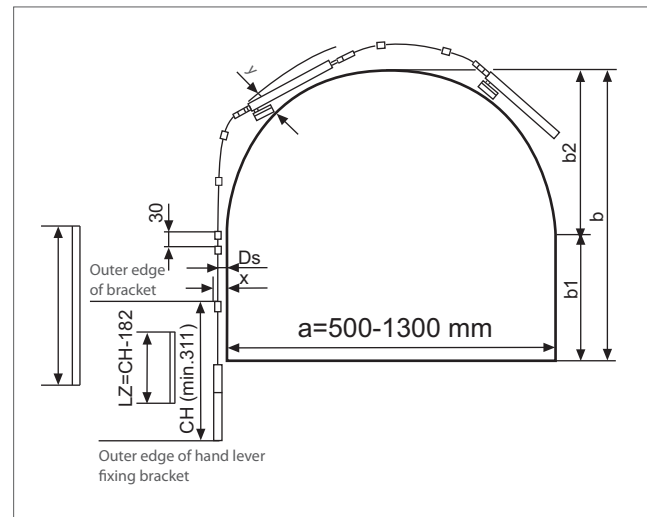


Fig. 14-2

Segmental arched  
Fitting dimension GEZE OL90 N for segmental arched window with 1 scissor

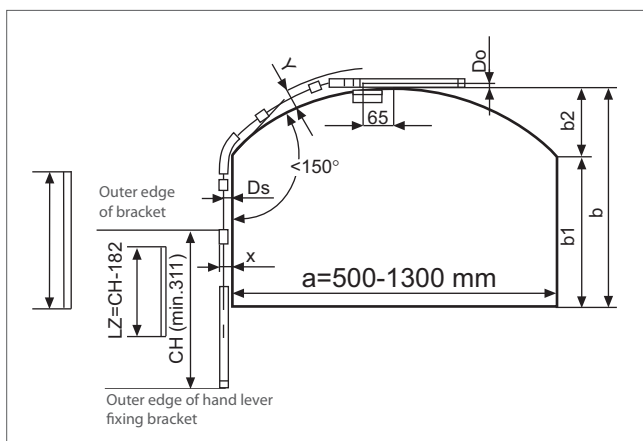


Fig. 14-3

Fitting dimension GEZE OL90 N for segmental arched window with 2 scissors

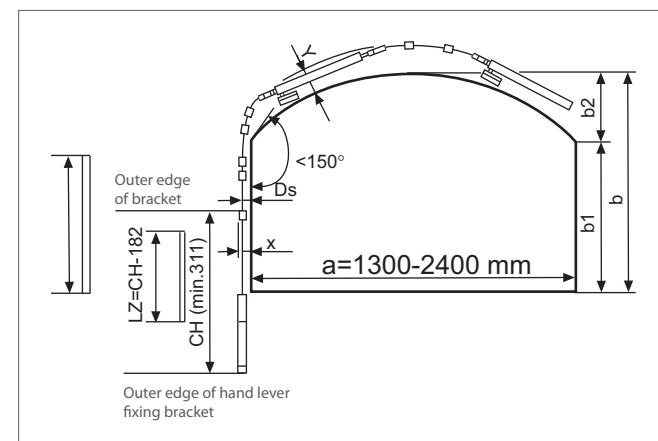


Fig. 14-4

# GEZE OL90 N for special shapes

Dimension D and space requirement at top

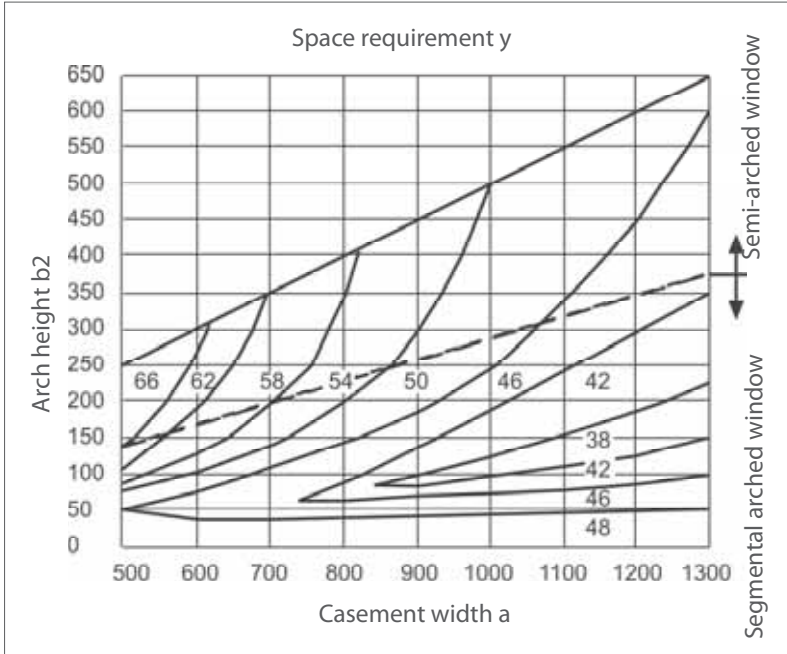


Fig. 15-1

Article number of installation drawing

	OL90 N for semi and segmental arches
Installation drawing	40444-EP-010
	40444-EP-017

Installation location  
Semi arched windows



Fig. 15-2

# GEZE OL90 N Top hung outward opening

## Slimline fanlight opener with burglary resistant locking



GEZE slimline fanlight opener OL90 N top hung outward opening

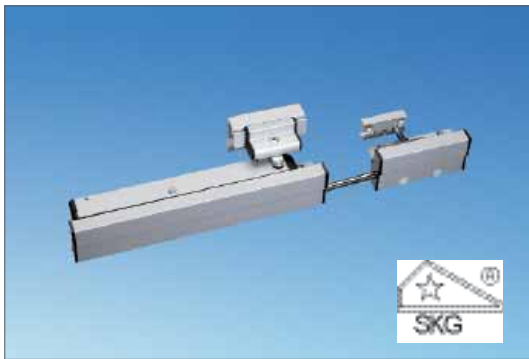


Fig. 16-1

This new fanlight opener is new, shapely designed is suitable for vertically installed, outward opening top hung windows made of timber, plastic and light alloy with soffit depth of 31-60 mm. Operation possible from left or right by hand lever, cranking handle or electric linear drive. The burglary resistant function is SKG approved. The installation is simple since scissors and rod assembly can be mounted from the front, in addition only minimal space requirement at bottom and lateral.

### Product features

- ▶ Large opening width: 170 mm
- ▶ Full opening width possible with all casement heights
- ▶ With trigger device – that makes it easy to disengage scissors, e. g. for cleaning
- ▶ All units completely pre-assembled, meaning fewer fittings

### RAL-Quality mark



Fig. 16-2

All GEZE slimline fanlight openers do comply with the high requirements of the RAL-quality mark and the demanding RAL-quality level.

### Note

Limitations concerning casement dimensions to be respected!

### Units

- ▶ 1 slimline scissor
- ▶ 1 scissor bearing
- ▶ 1 casement bracket
- ▶ 1 casement rack
- ▶ 2 rod guides

### Technical data

Technical product description			
Soffit depth	0 - 60 mm		
Space requirement at bottom	0 - 30 mm soffit depth 35 mm, 31 - 60 mm soffit depth 28 mm		
Lateral space requirement X hand lever	D+10 mm, min. 22 mm		
Lateral space requirement X drive Fz90	D+10 mm, min. 24 mm		
Fz 90 with removable cranking handle	D+14 mm		
Casement widths	600 - 1000 mm	1 scissor	1 locking
	1000 - 1200 mm	1 scissor	2 lockings
	1200 - 1500 mm	2 scissors	2 lockings
	1500 - 2400 mm	2 scissors	3 lockings
Casement height	min. 370 mm		
Opening width max.	170 mm		
Fitting stroke	54 mm		
Casement weight max.	80 kg		
Panel weight max.	30 kg/m <sup>2</sup>		

# GEZE OL90 N Top hung outward opening

### Application range

- ▶ For vertically installed top hung windows with outward opening with soffit depth  $e = 0 - 30$  and  $30 - 60$  mm
- ▶ Operation possible from left or right
- ▶ Operation by hand lever, cranking handle or electric linear drive.

### Installation drawing

GEZE slimline opener OL90 N for timber window Euro nut, soffit depth 30 - 60 mm

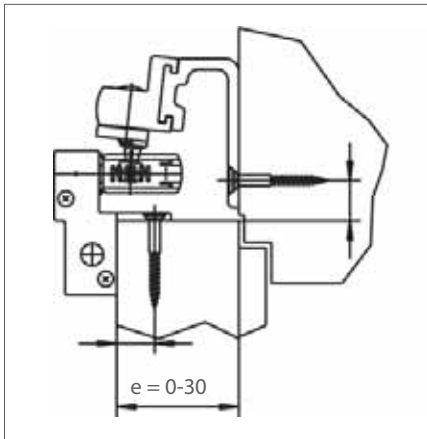


Fig. 17-1

GEZE slimline fanlight opener OL90 N for timber window Euro nut, soffit depth 0 - 30 mm

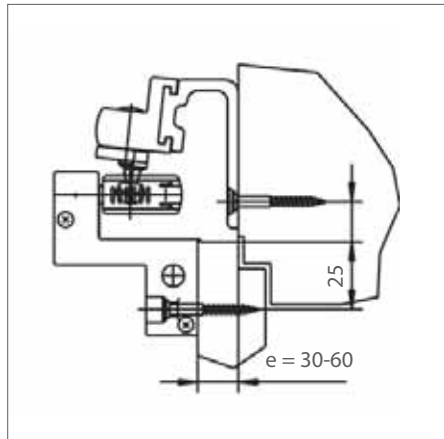


Fig. 17-2

### Space requirement and soffit depth

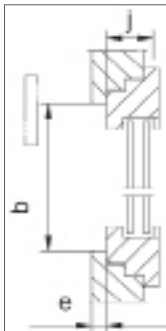


Fig. 17-3

### Explanations

- ▶ Space requirement at bottom
  - $e = 0$  to  $30$  mm : 35 mm
  - $e = 31$  to  $60$  mm: 28 mm
- ▶ Lateral space requirement X:
  - hand lever                                     $D + 10$  mm (min. 22 mm)
  - drive Fz90                                     $D + 10$  mm (min. 24 mm)
  - Fz 90 with removable cranking handle     $D + 14$  mm

- D = Distance between outer edge of casement to middle of rod at side min. 12 mm
- j = Inner edge of casement to casement pivot point of hinge max 70 mm
- a = Casement width in case of timber/aluminium 400 to 1200 mm (tandem 2400 mm)  
in case of plastic max. 800 mm (tandem 1600 mm)
- b = Casement height min. 370 mm

### Article number of installation drawing

	OL90 N top hung outward opening
Installation drawing	40421-9-0950

# GEZE OL90 N

## Ordering information

Description	Finish	ID-No.
GEZE OL 90 N hand lever and corner transmission	EV1 (silver-coloured)	030611
	white RAL 9016	030615
	RAL-colour	030614
GEZE OL 90 N scissor with standard casement block	EV1 (silver-coloured)	030373
	white RAL 9016	030377
	RAL-colour	030376
Rod guide ø 8, L = 2000 mm	EV1 (silver-coloured)	016555
Rod guide ø 8, L = 3000 mm	white RAL 9016	016591
Rod guide ø 8, L = 6000 mm	RAL-colour	016592
Cover profile (mitred ends), L = 2000 mm	EV1 (silver-coloured)	030401
	white RAL 9016	030405
Cover profile (mitred ends), L = 3000 mm	EV1 (silver-coloured)	030396
	white RAL 9016	030400
Cover profile (straight ends), L = 6000 mm	EV1 (silver-coloured)	027558
	white RAL 9016	027561
GEZE OL 90 N hand lever and corner transmission (Fixpack 25)	EV1 (silver-coloured)	030557
	white RAL 9016	030561
	RAL-colour	030560
GEZE OL 90 N scissor with standard casement bracket (Fixpack 25)	EV1 (silver-coloured)	030574
	white RAL 9016	030578
	RAL-colour	030577
GEZE OL 90 N scissor without casement bracket	EV1 (silver-coloured)	071203
	white RAL 9016	071207
	RAL-colour	071206
GEZE OL 90 N casement for timber window Euronut	EV1 (silver-coloured)	030886
	white RAL 9016	030890
	RAL-colour	030889
GEZE OL 90 N standard casement bracket	EV1 (silver-coloured)	074424
	white RAL 9016	074428
	RAL-colour	074427
Rod guide	plastic	010878
Rod guide with fixing plate	galvanised	002747
Rod connector for rod ø 8 mm	galvanised	043546
Corner transmission	galvanised	070546
Corner transmission cover	EV1 (silver-coloured))	071503
	white RAL 9016	071507
Corner transmission, bendable	galvanised	071354
Hand lever OL 90 N	EV1 (silver-coloured)	026882
	white RAL 9016	026887
Fixing plate for hand lever	galvanised	004530
Drilling plate for timber window	yellow	054799
Drilling plate for aluminium and plastic window	blue	054800
Accessory for multi-part drilling template		020477
Supplementary drilling template F 45		028141

Rods and cover profile, please see standard version

# GEZE OL90 N

## Ordering information GEZE OL90 N for angular and triangular windows

Description	Finish	ID-No.
Hand lever and bendable corner transmission for angular window	EV1	076911
	white RAL 9016	076915
GEZE OL 90 N sliding casement bracket for angular window and triangular window	EV1	030970
	white RAL 9016	030974
GEZE OL 90 N sliding casement bracket for angular timber windows Euronut	EV1	071198
	white RAL 9016	071202

## Ordering information GEZE OL90 N for semi arched and segmental arched windows

Description	Finish	ID-No.	
Flexible rod assembly without accessory	Linkage length 700 mm	EV1/ white RAL 9016	022718
	Linkage length 1000 mm	EV1/ white RAL 9016	022720
	Linkage length 1250 mm	EV1/ white RAL 9016	022721
Accessory for flexible rod assembly (special window shapes)	EV1/ white RAL 9016	030862	
Corner transmission for flexible rod assembly for angular and segmental arched windows	EV1/ white RAL 9016	030764	
Guide profile for flexible rod assembly	EV1/ white RAL 9016	022791	

Rods and cover profile, please see standard version

## Ordering information for GEZE OL90 N top hung, outward opening

Description	Finish	ID-No.	
OL90 N top hung outward opening scissor	E=0-30 left	EV1 (silver-coloured)	118060
		White RAL 9016	118081
		RAL-colour	118082
	E=0-30 right	EV1 (silver-coloured)	117700
		white RAL 9016	117771
		RAL-colour	117772
	E=30-60 left	EV1 (silver-coloured)	118083
		white RAL 9016	118084
		RAL-colour	118085
	E=30-60 right	EV1 (silver-coloured)	117773
		white RAL 9016	117774
		RAL-colour	117775
Locking device OL 90 top hung outward opening	Soffit depth E=30-60	EV1 (silver-coloured)	117776
		white RAL 9016	117777
		RAL-colour	117778

# GEZE OL95

Surface mounted slimline fanlight opener for vertically installed rectangular windows with opening width of 220 mm



GEZE slimline fanlight opener OL95 with standard casement bracket



Fig. 20-1

### Product features

- ▶ An opening width of 220 mm ensures even better ventilation
- ▶ The product's design and aesthetics offer creative freedom for architects and designers
- ▶ Unobtrusive installation into post rail structures due to small overall dimension
- ▶ Nearly all OL90 N components can be used in conjunction with the scissor stay OL95

The OL95 is suitable for vertically installed inward opening rectangular bottom, top, side hung or pivot sash windows made of timber, plastic or metal.

The opening width of 220 mm allows for further improved ventilation. The small overall dimensions make an unobtrusive installation into post rail structures possible.

Due to the flat design of scissor and rod assembly only minimal clearance at top and on the side of the casement is required. The appearance of the façade remains unchanged.

The locking mechanism of the scissor ensures a safe locking of the casement. Although it is easy to disengage the scissors for cleaning the windows from inside and outside.

### RAL-Quality mark



Fig. 20-2

All GEZE slimline fanlight openers do comply with the high requirements of the RAL-quality mark and the demanding RAL-quality level.

### Units



Fig. 20-3

- ▶ 1 slimline scissor stay
- ▶ 1 scissor bearing
- ▶ 1 fixing plate for angular windows
- ▶ 1 casement bracket for angular windows
- ▶ 1 bendable corner transmission
- ▶ 1 hand lever
- ▶ 2 rod bearings
- ▶ plus:  
rods and cover profiles

### Technical data

Technical product description	
Space requirement at top	21 - 27 mm
Casement width*	min. 440 mm
	1 scissor max. 1200 mm
	2 scissors max. 2400 mm
	3 scissors max. 3000 mm
Casement height	min. 350 mm
Opening width	220 mm
Fitting stroke	54 mm
Casement weight max.	60 kg
Panel weight max.	Casement width: until 2400 mm: 30 kg/m <sup>2</sup> 2400 to 2900 mm: 25 kg/m <sup>2</sup> 2900 to 3600 mm: 20 kg/m <sup>2</sup>

\*) The maximal casement widths depend on panel weight and the operation mode. For further information please refer to the respective installation drawing.

# GEZE OL95

### Application range

- ▶ Main field of application in post rail facades
- ▶ Only vertically installed rectangular bottom, top, side hung and pivot sash windows made of timber, plastic or aluminium with overlap depth from 0 to 25 mm
- ▶ Applicable for overlap depths from 0-25 mm
- ▶ Casement weight: max. 60 kg
- ▶ Only for indoor use

GEZE slimline fanlight opener OL95



Fig. 21-1

### Installation drawings

Panel weight	Maximal permitted casement width 1 casement (mm)	Maximal permitted overall casement width 2 scissors (mm)	Maximal permitted overall casement width 3 scissors (mm)	Number of scissors (min.)
up to 20 kg/m	1200	-	-	1
	2400	2400	-	2
	3000	2700 <sup>1)</sup>	2700	3 (4)
up to 25 kg/m	1100	-	-	1
	2200	2200	-	2
	2700	2400 <sup>1)</sup>	2400	3 (4)
up to 30 kg/m max.	1000	-	-	1
	2000	2000	-	2
	2200	2000 <sup>1)</sup>	1700	3

<sup>1)</sup>: e.g. for different casement widths (1x1 + 1x2 scissors)

3(4): also 4 instead of 3 scissors applicable (e.g. 2x2 scissors)

### Fitting dimension for scissor stay

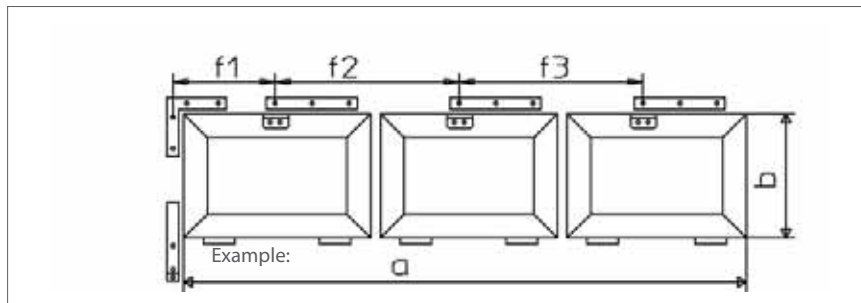


Fig. 21-2

### Overlap depth / Distance dimension

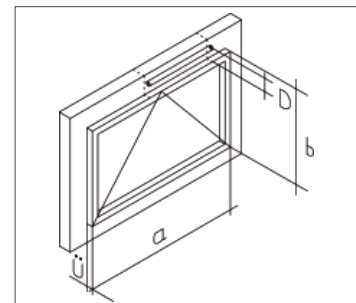


Fig. 21-3

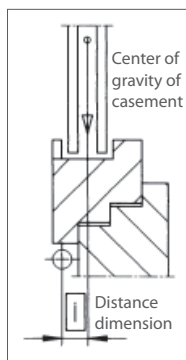


Fig. 21-4

### Explanations

- i = Distance from the casement's centre of gravity to the hinge pivot point: 10 to 60 mm
- ü = Overlap depth 0 – 25 mm
- D = Outer edge of casement to the middle of drive rod
- X = Space requirement at side D+10 mm
- Y = Space requirement at top
- F1, F2, F3= Fitting dimensions for scissor

### Dimension D and space requirement at top

Casement height b	Dimension D at top	Space requirement Y at top
350 - 400 mm	18 mm	D + 9 mm
401 - 450 mm	16 - 18 mm	D + 9 mm
451 - 600 mm	14 - 18 mm	D + 9 mm
ab 601 mm	12 - 18 mm	D + 9 mm

### Dimension D with supplementary locking device Adjusting dimension D

- ▶ At top without additional locking device 10-18 mm
- ▶ At top with additional locking device 16 mm
- ▶ At side minimum 10 mm
- ▶ Space requirement at top and at side: D + 9 mm

# GEZE OL95

## Installation drawings

GEZE slimline fanlight opener OL95 for light alloy window with overlap

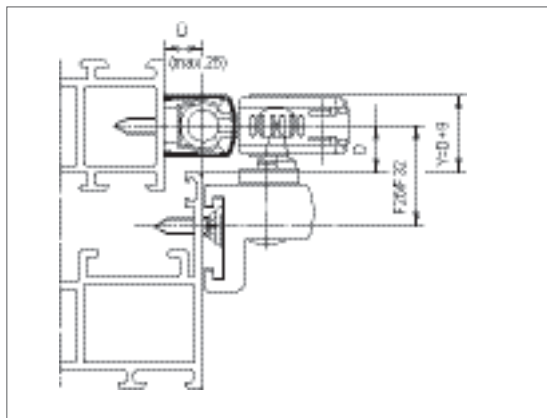


Fig. 22-1

GEZE slimline fanlight opener OL95 for surface-mounted light alloy windows

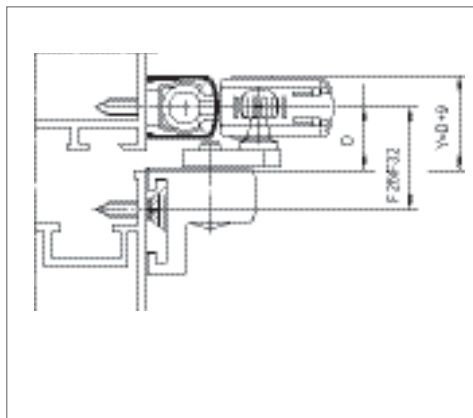


Fig. 22-2

GEZE slimline fanlight opener OL95 for timber window Euro nut

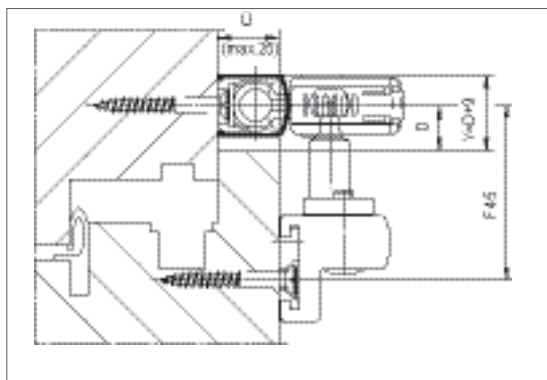


Fig. 22-3

GEZE slimline fanlight opener OL95 for plastic window

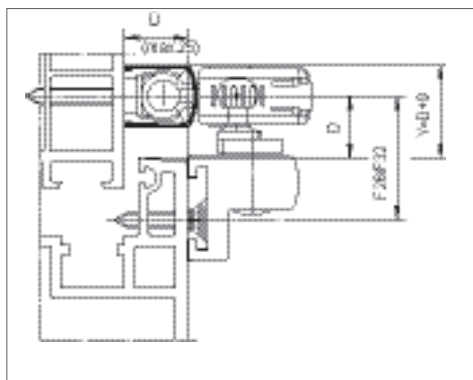


Fig. 22-4

## ID-No. of installation drawing

	OL95
Installation drawing	40445-9-0952

## Installation location

Johanniter Nursing Home, Berlin



Fig. 22-5

# GEZE OL95

## Ordering information

Description	Finish	ID-No.
GEZE OL95 scissor stay with standard casement bracket	EV1 (silver-coloured)	082445
	white RAL 9016	082448
	RAL-colour	082449
GEZE OL95, sliding casement bracket for special window shapes	EV1 (silver-coloured)	084398
	White RAL 9016	080401
	RAL-colour	084403
GEZE OL95, sliding casement for timber window with Euronut	EV1 (silver-coloured)	071198
	white RAL 9016	071202
	RAL-colour	071201
GEZE OL95 scissor without casement bracket	EV1 (silver-coloured)	084194
	white RAL 9016	084197
	RAL-colour	084199
GEZE OL95 scissor without locking device	EV1 (silver-coloured)	082638
	white RAL 9016	082641
	RAL-colour	082643
GEZE hand lever lockable	EV1 (silver-coloured)	083841
	white RAL 9016	083844
	RAL-colour	085230

# GEZE OL90 N/ OL95 Accessory Gear

### General product features

- ▶ Compact dimension (16 mm)
- ▶ Completely covered by profile
- ▶ High capacity
- ▶ On demand: adjustable overload safety device (factory setting at 7 Nm)
- ▶ Minimum casement width 380 mm
- ▶ Only 9 crank lever rotations for total opening
- ▶ Easy mounting
- ▶ Rod guide  $\varnothing$  8 mm, directly connectable
- ▶ Stroke 54 mm (stroke limitation possible)

### GEZE corner transmission gear Fz 90

Corner transmission with integrated gear. For fixed and removable cranking handle. Fz 90 L - Left, Fz 90 R - Right

### GEZE corner transmission gear Fz 90



Fig. 24-1

### Rectangular and angular windows with GEZE Fz 90

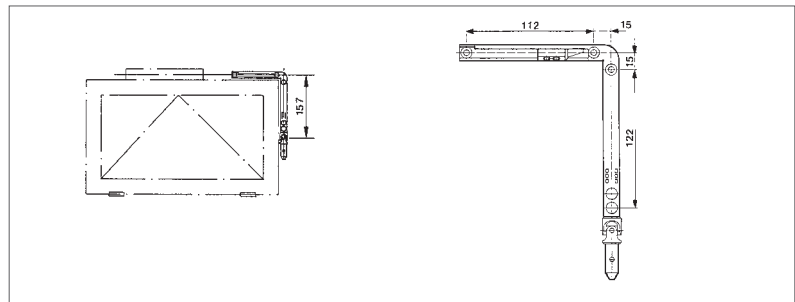


Fig. 24-2

### Technical data

Technical product description	
Overall casement width a	380 - 3600 mm
Casement height b	min. 250 mm
Casement weight	max. 80 kg
max. Panel weight	
at casement width a = 380 - 2400 mm	30 kg/m <sup>2</sup>
at casement width a = 2400 - 3600 mm	25 kg/m <sup>2</sup>
Distance dimension of casement centre of gravity to the pivot point of hinge i	10 - 60 mm
Overlap depth Ü	0 - 25 mm

### Application area Fz 90

- ▶ Only for vertically installed rectangular inward opening bottom hung and top hung windows

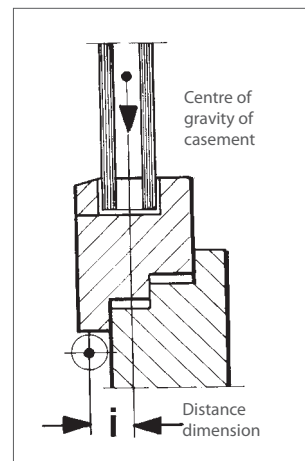


Fig. 24-3

### Dimension D at top and on side

Casement height b	Dimension D at top	Dimension D at side
250 - 300 mm	16 - 18 mm	D + 9 mm
300 - 400 mm	14 - 18 mm	D + 9 mm
400 - 500 mm	12 - 18 mm	D + 9 mm
Up to 500 mm	10 - 18 mm	D + 9 mm

### Dimension D and space requirement

Drain	Dimension D at side	Space requirement X at side
Drive Fz 90 L/R-Fz 91 with fixed cranking handle	min. 10 mm	D + 9 mm
With removable cranking handle	min. 14 mm	D + 14 mm

# GEZE OL90 N/ OL95 Accessory Gear

## GEZE vertical gear Fz 91

For fixed and removable cranking handle. Left and right applicable.

## GEZE corner transmission gear Fz 91



Fig. 25-1

## Rectangular and angular windows with GEZE Fz 91

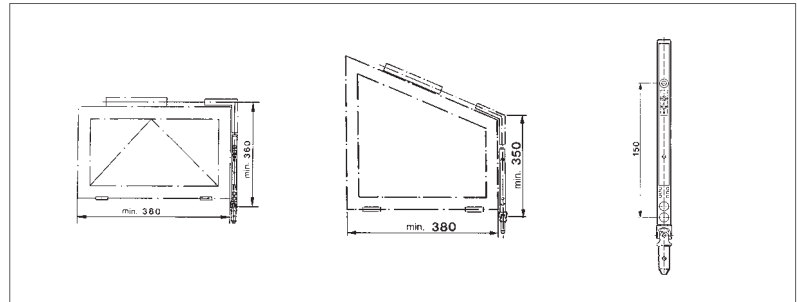


Fig. 25-2

At rectangular windows the vertical gear is installed with an corner transmission. At angular windows a bendable corner transmission is needed.

## Technical data

Technical product description	
Overall casement width a	380 - 3600 mm
Casement height b	min. 250 mm
Casement weight	max. 80 kg
max. panel weight	
at casement width a = 380 - 2400 mm	30 kg/m <sup>2</sup>
at casement width a = 2400 - 3600 mm	25 kg/m <sup>2</sup>
Distance dimension of casement centre of gravity to the pivot point of hinge i	10 - 60 mm
Overlap height Ü	0 - 25 mm

## Application area Fz 91

- ▶ Only for vertically installed rectangular inward opening bottom hung and top hung windows

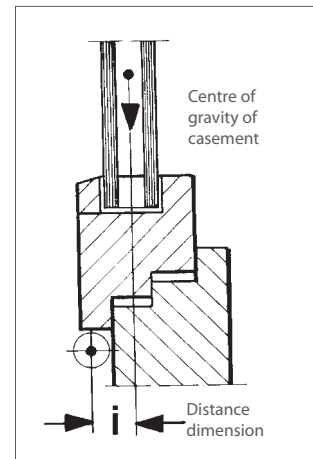


Fig. 25-3

## Dimension D at top and at side

Casement height b	Dimension D at top	Dimension D at side
250 - 300 mm	16 - 18 mm	D + 9 mm
300 - 400 mm	14 - 18 mm	D + 9 mm
400 - 500 mm	12 - 18 mm	D + 9 mm
Up to 500 mm	10 - 18 mm	D + 9 mm

## Dimension D and space requirement

Drain	Dimension D at side	Space requirement X at side
Gear Fz 90 L/R-Fz 91 with fixed cranking handle	min. 10 mm	D + 9 mm
With removable cranking handle	min. 14 mm	D + 14 mm

# GEZE OL90 N/ OL95 Accessory Gear

GEZE horizontal and angular gear Fz 92  
 For fixed and removable cranking handle. Left and right applicable.

GEZE gear Fz 92

Installation drawing

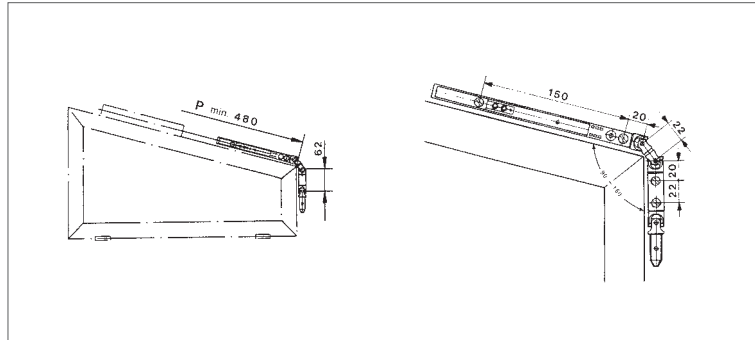


Fig. 26-1

Fig. 26-2

Technical data

Technical product description	
Overall casement width a	380 - 2000 mm
Casement height b	min. 250 mm
Casement weight	max. 80 kg
max. panel weight	
at casement width a = 380 - 2400 mm	30 kg/m <sup>2</sup>
Drain angle a	90° - 160°
Length of angled leg P	480 to 2000 mm
Distance dimension of casement centre of gravity to the pivot point of hinge i	10 - 60 mm
Overlap depth Ü	0 - 25 mm
Average casement height B2	min. 300 mm

Stop position OL90 N / OL95

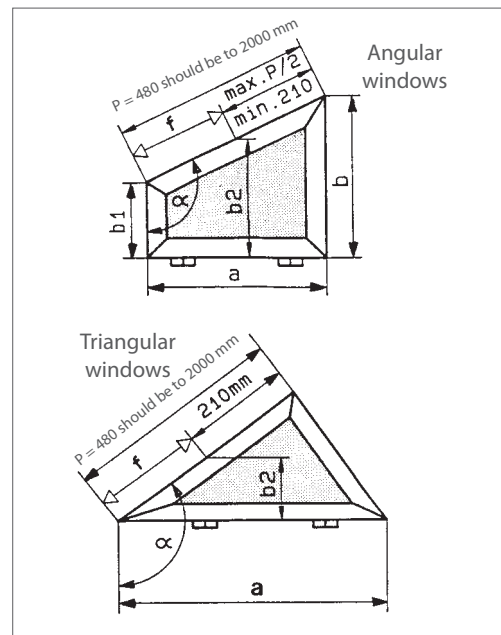


Fig. 26-3

Application area Fz 92

- ▶ Only for vertically installed windows, for angular and triangular windows, for rectangular windows as horizontal drive applicable as well

Dimension D at top and at side

Dimension D and space requirement

Casement height b	Dimension D at top	Space requirement Y at top
	10 - 18 mm	D + 9 mm
With supplementary locking device	16 mm	D + 9 mm

Drain	Dimension D at side	Space requirement X at side
With fixed cranking handle	min. 12 mm	D + 9 mm
With removable cranking handle	min. 14 mm	D + 14 mm

ID-No. Of installation drawings

Installation drawings	Drive	
	Angular windows	40444-EP-007
Rectangular windows	40444-EP-008	
with supplementary locking device	40444-EP-022	

Note

The whole pattern for the drive should be drilled with the help of a drilling gauge. From P = 1200 mm on, a supplementary locking device is recommended. For angular windows only a scissor with sliding casement bracket can be installed.

# GEZE OL90 N/ OL95 Accessory

## Linkage bearing for gears and cranking handles

GEZE linkage bearings for drives and linkage transmission with cranking handle

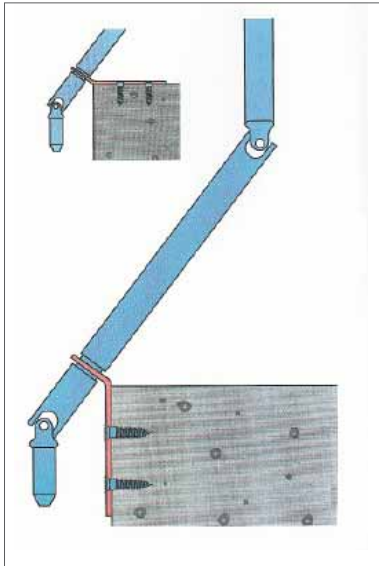


Fig. 27-1

Installation drawing  
GEZE Linkage bearings cranking handles

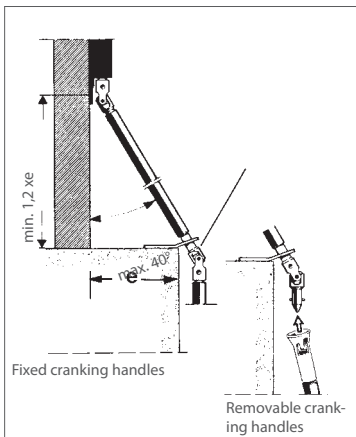


Fig. 27-2

Linkage cranking handle

The cranking handle is fixed or removable.

The linkage bearing consists of a flexible steel bracket in galvanised or black finish and can be adapted to different tilt angles.

It can be fitted on the soffit, in front of the soffit or on the side of the soffit. The cranking handle thereby is positioned at a distance of 25 mm to the wall.

GEZE Fixed cranking handles

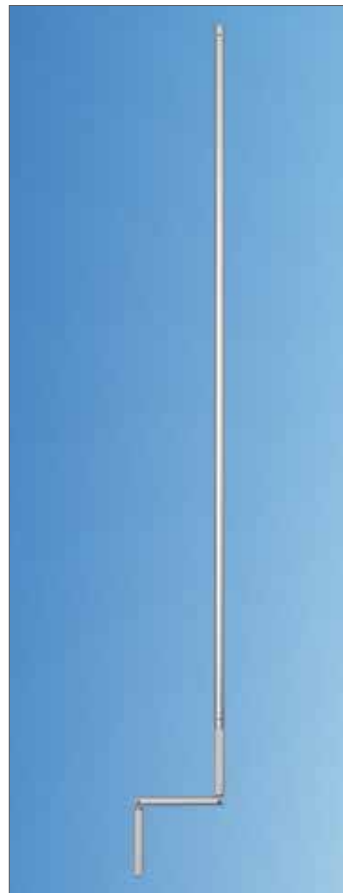


Fig. 27-3

GEZE Removable cranking handles

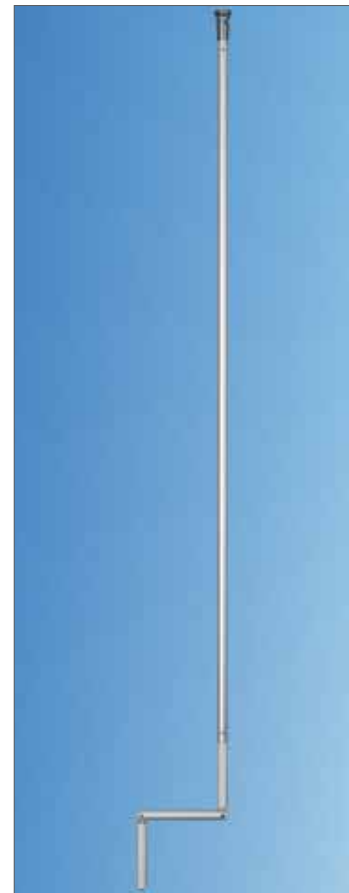


Fig. 27-4

ID-No. of installation drawing

	OL90 N / OL95
Installation drawing	40444-EP-011

Installation location: Nursery Home, Berlin



Fig. 27-5

# GEZE OL90 N/ OL95 Accessory

## Ordering information

Description	Finish	ID-No.
GEZE Fz 90 Corner transmission with integrated gear	galvanised	030809
	black	030810
	galvanised	030811
	black	030812
GEZE Fz 91 Gear for vertical mounting	galvanised	030822
	black	030823
GEZE Fz 91 Gear with corner transmission	galvanised	030817
	black	030818
GEZE Corner transmission, bendable	galvanised	071354
GEZE Fz 92 Gear for angular and triangular windows	silver-coloured / white	030778
Fixed cranking handle, with articulated crank and crank handle holder (stretched length 1400 mm)	EV1	050857
	white RAL 9016	015864
Fixed cranking handle, with articulated crank and crank handle holder (cut to length)	EV1	077433
	white RAL 9016	108476
Removable cranking handle, with articulated crank and coupling hopper (stretched length 1400 mm)	EV1	050856
	white RAL 9016	015879
Removable cranking handle, with articulated crank (cut to length)	EV1	077434
	white RAL 9016	108480
Hinge bearing with bearing plate for drives and cranking handle for Fz 90 - Fz 92 und Fz 100 - Fz 101	galvanised	022933
	black	022934
Collapsible handle Fz 45/32	EV1	056951
	white RAL 9016	014795
Coupling bell socket Fz 45/14	silver-coloured	042963
Cranking handle holder Fz 45/8	EV1	054560
	white RAL 9016	014794
Dowel pin 4x16 mm	galvanised	022932
Stroke limitation for opening width 100 mm		012335
Connecting tube, outside diameter, bearing length 6000 mm	EV1	053262
	white RAL 9016	014706
Drilling gauge for connecting tube		059083
Drilling gauge Fz 92	Timber	013769
	Light alloy / Plastic	013770
On request overload safety device	EV1	020226
	white RAL 9016	020223

Rods, cover profiles and, if required, supplementary scissors. Please see GEZE OL 90 N standard version

# GEZE OL90 N/ OL95 Accessory

## Post rail façade

### Transmission with pull-handle

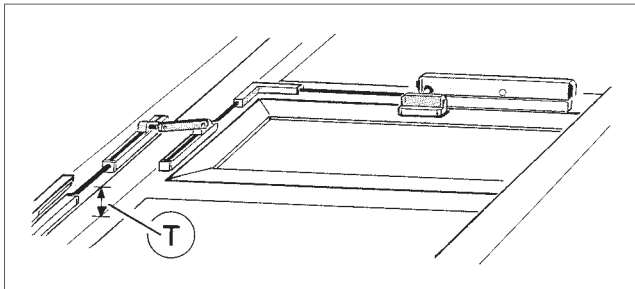


Fig. 29-1

Post projection is bridged by a linkage bracket (please see illustration). For vertically installed rectangular windows only.

- Operation with
- ▶ Hand lever
  - ▶ Gear Fz 91
  - ▶ Electric motor

### Technical data

Technical product description	
Overall casement width a	please see table
Casement height b	min. 250 mm
Overall casement weight	max. 80 kg

### Application area

- ▶ For vertically installed inward opening bottom hung windows made of timber, plastic or light alloy with overlap heights of 0-25 mm
- ▶ Max. casement weight 80 kg

Overall casement height a	Panel weight	casement height b	Dimension D at top	Y min.	Y max.
Up to 2400 mm	max. 30 kg/m <sup>2</sup>	250 - 300 mm	10 - 18 mm	D + 9 mm	33 mm
2401 - 2900 mm	max. 25 kg/m <sup>2</sup>	301 - 400 mm	12 - 18 mm	D + 9 mm	33 mm
2901 - 3600 mm	max. 20 kg/m <sup>2</sup>	ab 401 mm	10 - 18 mm	D + 9 mm	33 mm

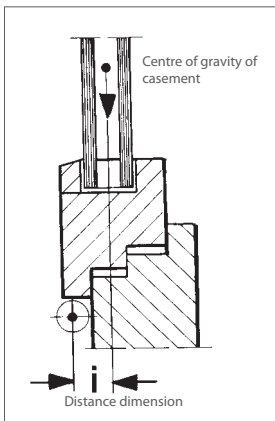


Fig. 29-2

### Explanations

- i = distance from the centre of gravity to casement pivot point of linkage: 10 to 60 mm
- ü = Overlap depth 0 – 25 mm
- D = Outer edge of casement to middle of drive rod (please see table)
- X = Space requirement at side min. 19 mm (please see table)
- Y = Space requirement at top (please see table)
- T = Post/rail projection from frame

### ID-No. Of installation drawing

	Post-rail-construction
Installation drawing	40444-EP-014

### Ordering information

Description	Finish	ID-No.
Post-Rail/Curtain wall transmission size 75, T	EV1 (silver-coloured)	030744
	white RAL 9016	030748
	RAL-colour	030747
Post-/Curtain wall transmission size 150, T	EV1 (silver-coloured)	030749
	white RAL 9016	030753
	RAL-colour	030752

# GEZE OL90 N/ OL95 Accessory

## Flexible linkage for negotiating sills

### Product features

- ▶ Simple adaptable transmission for fanlight opener OL90 N and OL95
- ▶ No bell type angles
- ▶ No rod angles
- ▶ Fast and easy mounting
- ▶ Optically elegant guide

### Transmission with drive rod

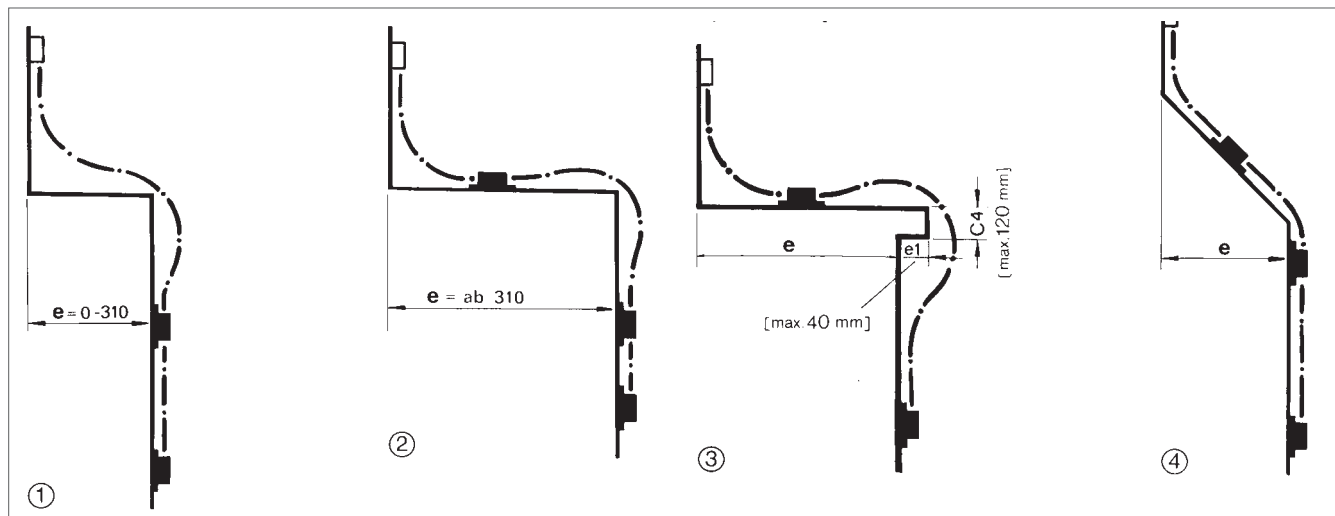


Fig. 30-1

### Possible routing arrangements

- |  |  |
|--|--|
| 1) Sill with soffit depth $e =$ Up to 310 mm | (linkage length 700 mm)  |
| 2) Sill with soffit depth $e =$ over 310 mm  | (linkage length 700 mm up to $e = 380$ mm) / (linkage length 1000 mm up to $e = 680$ mm)       |
| 3) Sill with sill protection                 | (linkage length 700 mm up to $e+e1 = 310$ mm) / (linkage length 1000 mm up to $e+e1 = 610$ mm) |
| 4) Angled sill                               | (linkage length 700 mm up to $e = 380$ mm) / (linkage length 1000 mm up to $e = 680$ mm)       |

### Technical data

Technical product description	
Overall casement width a	Up to 1200 mm
Panel weight	max. 30 kg/m <sup>2</sup>
Casement weight	max. 60 kg
Space requirement	
Upper edge of sill to the centre of horizontal drive rod	min. 440 mm
Bottom edge of upper holder to upper edge of sill	min. 160 mm
Space requirement at side	min. 19 mm

### ID-No. for installation drawing

Negotiating sills	
Installation drawing	40444-9-0963

### Installation location Negotiating sills



Fig. 30-2

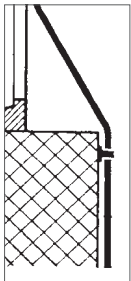
### Ordering information

Description	Finish	ID-No.
Flexible rod assembly (linkage) linkage length 700 mm at $e = 0$ to 350	Brown	008481
	EV1 / white RAL 9016	022718
Flexible rod assembly (linkage) linkage length 1000 mm at $e = 0$ to 650	brown	008483
	EV1 / white RAL 9016	022720
Flexible rod assembly (linkage) linkage length 1250 mm	brown	008485
	EV1 / white RAL 9016	022721
Accessories for flexible linkage for negotiating sills for OL 90 N: clamping plate, holder/rod coupling, rod guide	brown	030797
	EV1 / white RAL 9016	030798

# GEZE OL90 N/ OL95 Accessory

## Transmission with cranked rod and special versions

### Transmission with cranked rod



For soffit depth up to approx. 150 mm, transmission with cranked rod  $\varnothing$  10 mm.

Fig. 31-1

### Special versions

#### GEZE sliding casement bracket



Fig. 31-2

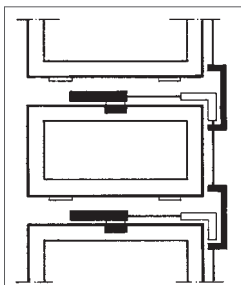
#### GEZE Bendable corner angle transmission



The bendable corner angle transmission allows the flexible application of the system for special window shapes.

Fig. 31-3

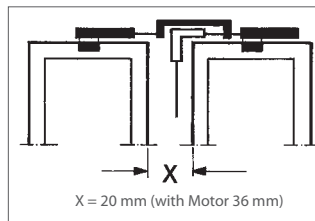
#### Stacked bottom hung casements



**Stacked bottom hung casements with corner angle transmission**  
The transmission is situated in front of the corner angle, so that no excessive space requirements are required to the side, please see diagram 31-4.

Fig. 31-4

#### Central operation



**Central operation for 2 casement window with corner angle transmission**

The transmission is situated in front of the corner angle, so that no excessive space requirements are required to the side, please see diagram 31-5.

Fig. 31-5

### ID-No. of installation drawing

		OL90 N / OL95
Installation drawing	Stacked corner angle transmission	40444-EP-024
	Central operation Operation with corner angle transmission	40444-EP-023

### Ordering information

Description	Finish	ID-No.
Special versions additional packaging for cranked rod $\varnothing$ 10 mm	galvanised	058124
Rod $\varnothing$ 10 mm, bearing length 2000 mm	galvanised	004892
Transmission for corner angle or bell type	EV1 (silver-coloured)	030902
	white RAL 9016	030906
OL90 N scissor with sliding casement bracket for angular windows	EV1 (silver-coloured)	030596
	white RAL 9016	030599
OL95 scissor without casement bracket	EV1 (silver-coloured)	084194
	white RAL 9016	084196
OL95 Sliding casement bracket for special window shapes	EV1 (silver-coloured)	084398
	white RAL 9016	084401

# GEZE OL90 N/ OL95 Accessory

## Scissors and hand lever

GEZE Lockable scissor



Fig. 32-1

With casement bracket.  
The lockable scissor prevents unauthorised unhinging of scissor.

GEZE Lockable scissor



Fig. 32-2

With casement bracket.  
The lockable scissor prevents the use of the scissor by unauthorised persons.

GEZE Swivelling hand lever



Fig. 32-3

Swivelling hand lever for the flexible application of the GEZE hand lever under confined conditions. The swivelling function offers excellent ease of use.

### Ordering information

Description	Finish	ID-No.
GEZE OL90 N Scissor with anti-unhinge feature	EV1 (silver-coloured)	030498
	white RAL 9016	030502
	RAL-colour	030501
GEZE OL90 N Lockable scissor	EV1 (silver-coloured)	029183
	white RAL 9016	029187
	RAL-colour	029186
Accessories for swivelling hand lever OL90 N / OL95	EV1 (silver-coloured)	030391
	white RAL 9016	030395
	RAL-colour	030394
Lockable hand lever for GEZE OL90 N / OL95	EV1 (silver-coloured)	083841
	white RAL 9016	083844
	RAL-colour	085230
GEZE OL95 Scissor with anti-hinge feature	EV1 (silver-coloured)	082638
	weiß RAL 9016	082641
	RAL-colour	082643

# GEZE OL90 N/ OL95 Accessory

## Supplementary locking device and concealed locking device with locking driver

GEZE Supplementary locking device with overlap depth 14 - 25 mm



Fig. 33-1

ID-No. of installation drawing

	Supplementary locking device
Installation drawing	40444-EP-022
	40445-EP-012

Supplementary locking device with overlap depth 0 - 17 mm

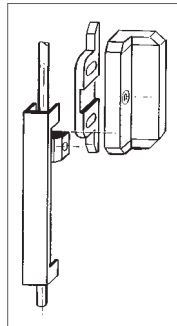


Fig. 33-2

Supplementary locking device with overlap depth 14 - 25 mm

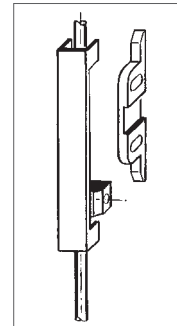


Fig. 33-3

### Concealed locking device with GEZE locking driver

Strength and safety over the entire closing surface as well as resistance to forced entry through the locking device with locking driver, designed according to the profile and fitting. The GEZE locking driver can be used with commercial central locking systems (concealed locking) and is easily clampable.

### GEZE coupling for concealed locking



Fig. 33-4

### Installation

#### GEZE coupling for concealed locking

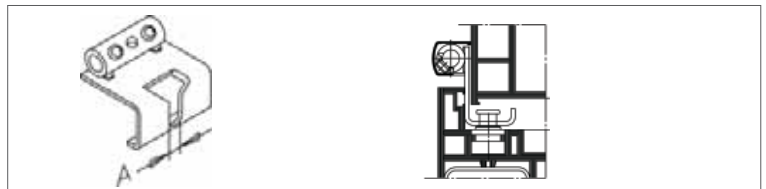


Fig. 33-5

### GEZE Concealed locking device

	Concealed locking device
Installation drawing	40444-EP-027

### GEZE Concealed locking device

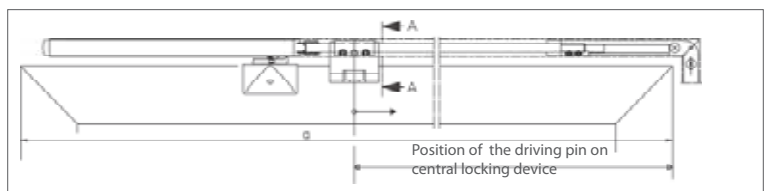


Fig. 33-6

### OL90 Coupling with locking driver

	Minimum casement width a			
	1 scissor		2 scissors	
	OL 90 N	OL 95	OL 90 N	OL 95
Hand lever / Gear	480	545	945	1075
GEZE E 212	645	710	1200	1330
GEZE E 205	875	940	1200	1330

#### Attention

Minimum casement width and stop position dimensions refer to the surface-mounted fanlight fitting GEZE OL 90 N / OL 95 only. Where applicable, for central locking devices other minimum casement width might be necessary.

# GEZE OL90 N/ OL95 Accessory

Supplementary locking device and concealed locking device with locking driver

## Ordering information

Description	Finish	ID-No.	
Supplementary locking device *)	Overlap depth 0-17 mm	EV1 (silver-coloured)	030519
		white RAL 9016	030523
	Overlap depth 14-25 mm	EV1 (silver-coloured)	030524
		white RAL 9016	030528
GEZE coupling for concealed locking	A = 8,5	galvanised	024953
	A = 11,5	galvanised	029722
	A = 15,5	galvanised	030294

\*) Supplementary corner transmission ID-No. 070546 is necessary, if used on opposite side to hand lever.

## Installation location Nursery Home, Berlin



Fig. 34-1

## Grammerschool Ammersee, Dießen



Fig. 34-2

# GEZE OL100

Surface mounted slimline fanlight opener for vertically installed rectangular windows with opening width of 260 mm



GEZE Slimline fanlight opener OL100



Fig. 35-1

This fanlight opener is suitable for vertically installed, inward opening rectangular bottom, top, side hung and pivoted sash windows made of timber, plastic or light alloy. It offers a large opening width of approx. 260 mm (on request approx. 190 mm). Suitable for left or right.

Due to the flat design of the scissor and rod assembly the space requirements at top and at side of the casement is minimal. The appearance of the façade remains unchanged. The locking device in the scissor allows safe locking of the casement. Although easy disengagement of the scissors facilitates window cleaning from inside and outside.

The OL100 is suitable for high casement weights up to 200kg, making it the first choice for heavy windows.

### Product features

- ▶ Large opening width: approx. 260 mm (on request approx. 190 mm)
- ▶ With red release button. This safety button indicates whether the casement is properly engaged.
- ▶ With locking device in scissor
- ▶ Easy installation even with deep soffits, since scissors and drive and rod assembly can be mounted from front
- ▶ Only one casement bracket for all overlap depths and materials
- ▶ Simple pressure adjustment, thereby automatic compensation of frame inaccuracies
- ▶ All visible parts made of light alloy
- ▶ No visible fixing screws
- ▶ Rod connectors unaffected by tolerance of rod assembly
- ▶ Each rod connector has 2 screws = double safety
- ▶ Minimal space requirement at top and at side of casement
- ▶ Completely pre-assembled units, which means fewer fittings
- ▶ Drilling gauge ensures time-saving, precise fitting

### Technical data

Technical product description	
Space requirement at top	30 - 34 mm
Casement width*	min. 600 mm
	1 scissor max. 1200 mm
	2 scissors max. 2400 mm
3 scissors max. 3600 mm	
Casement height	min. 400 mm
Opening width	260 mm (190 mm)
Fitting stroke	66 mm (42 mm)
Casement weight max..	200 kg
Panel weight max.	please see diagram Fig. 37-1

Provided that the permitted complete casement widths are not exceeded, gears Fz 100 and Fz 101 may be mounted with up to 5 scissors, with handlever max. 3 scissors

# GEZE OL100

### Application area

- ▶ For vertically installed bottom, top and side hung and pivoted sash casements, inward opening
- ▶ Suitable for left or right
- ▶ For overlap depths of 0-25 mm
- ▶ Max. casement height: 200 kg

GEZE Slimline fanlight opener OL100



Fig. 36-1

### Standard mounting GEZE OL100

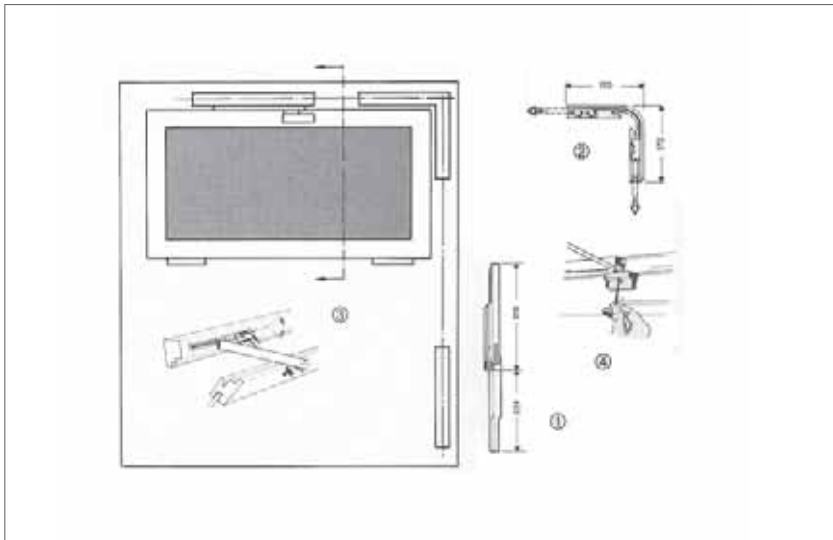


Fig. 36-2

#### ☒ Hand lever

#### ☒ Corner angle

The corner angle is a pre-assembled unit. The vertical drive rod and horizontal drive rod are fixed in position. Fitting does not involve any extra loose small parts. This corner transmission made of light alloy can be adjusted to any angle up to 135° (e.g. for angular windows).

#### ☒ Scissor

Hinge joint in scissor stay and ball joint on casement bracket facilitate full opening width.

#### ☒ Casement bracket

The casement pressure can be adjusted using an Allen key so that the casement is held firmly against the window seal.

### Standard version plastic, timber, light alloy (top down and left to right.)

- ▶ Fixing using countersunk self tapping screws 4,8 DIN 7972 through at least 2 Profile section walls.
- ▶ From 40 kg/m<sup>2</sup> panel weight on: scissor bearing and casement bracket
- ▶ Countersunk self tapping screws 4,8 DIN 7972 as metal reinforcement
- ▶ Threaded screws M5 with rivet nut (3 pcs. per casement bracket).
- ▶ Threaded screws M5

### Explanations

- i = Distance from centre of gravity of casement pivot point of hinge: 20 - 100 mm
- ü = Overlap depth 0 - 25 mm
- D = Outer edge of casement to centre of link arm (please see table)
- CA = Centre of cross bar to bottom edge of hand lever base plate min. 350 mm
- G = Centre of cross bar to centre of universal joint
- X = Space requirement at side X = D + 13 mm; X min. = 30 mm; D at side min. 17 mm
- Y = Space requirement at top (please see table)

### Dimension D and space requirement at top

Casement height b	Dimension D at top	Space requirement Y at top
400 - 500 mm	21 mm	min. 34 mm
501 - 650 mm	19 / 21 mm	D + 13 mm
ab 650 mm	17 / 19 / 21 mm	D + 13 mm

when using a supplementary locking device a D dimension of 19 mm is required

# GEZE OL100

## Panel weight for manual operation

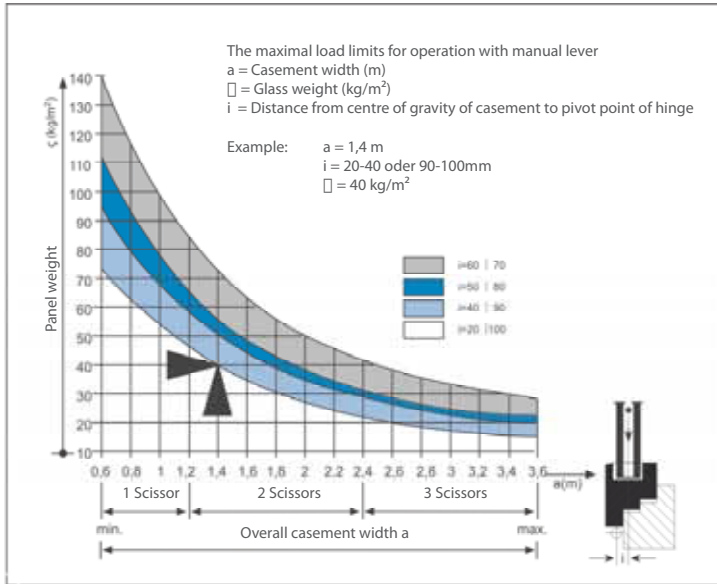


Fig. 37-1

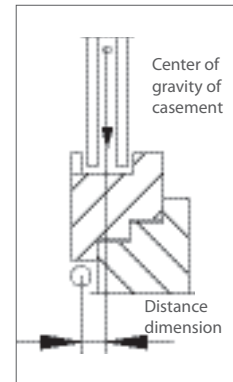


Fig. 37-2

## Installation drawings

### GEZE Slimline fanlight opener OL100 for light alloy window

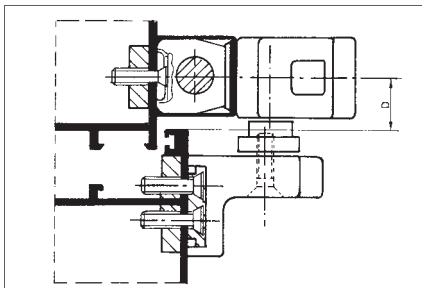


Fig. 37-3

### GEZE Slimline fanlight opener OL100 for timber window

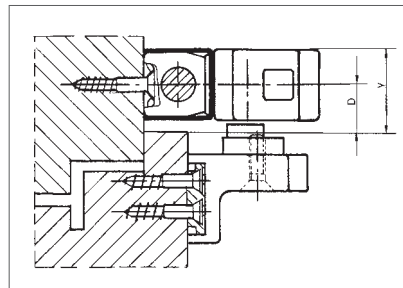


Fig. 37-4

### GEZE Slimline fanlight opener OL100 for plastic window

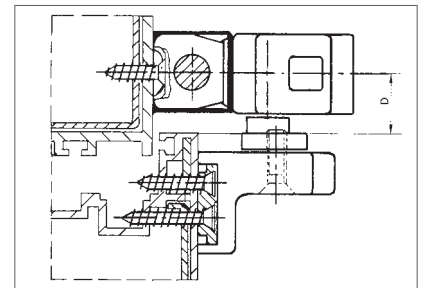


Fig. 37-5

## ID-No. of installation drawings

	OL100
Installation drawings	40408-EP-001

## Installation location Steigenberger Hotel DeSaxe, Dresden



Fig. 37-6

# GEZE OL100

## Ordering information

Description	Finish	ID-No.
GEZE OL 100 scissor with sliding casement bracket for standard version and angular windows	EV1 (silver-coloured)	058621
	white RAL 9016	018247
	RAL-colour	013808
GEZE OL 100 scissor with anti-unhinge feature and sliding casement bracket	EV1 (silver-coloured)	006863
	white RAL 9016	018262
	RAL-colour	013809
GEZE OL 100 hand lever (stroke 66 mm) with corner transmission	EV1 (silver-coloured)	077052
	white RAL 9016	077055
	RAL-colour	077056
End cover for last scissor	EV1 (silver-coloured)	058633
	white RAL 9016	018254
	RAL-colour	013816
Rod ø 12 mm, without cover profiles	Length: 2000 mm	EV1 (silver-coloured)
	3000 mm	white RAL 9016
	6000 mm	RAL-colour
Cover profile, length 2000 mm (mitred at each end)	EV1 (silver-coloured)	058771
	white RAL 9016	018293
	RAL-colour	014258
Cover profile, length 3000 mm (mitred at each end)	EV1 (silver-coloured)	058774
	white RAL 9016	018294
	RAL-colour	014259
Cover profile, length 6000 mm (mitred at each end)	EV1 (silver-coloured)	058630
	white RAL 9016	018251
	RAL-colour	013814
Rod guide		058653
Corner transmission	galvanised	058648
Hand lever for GEZE OL 100 with stroke of 42 mm for 190 mm opening width	EV1 (silver-coloured)	058762
	white RAL 9016	018300
	RAL-colour	014116
Hand lever for GEZE OL 100 with stroke of 66 mm 260 mm opening width	EV1 (silver-coloured)	081221
	white RAL 9016	081247
	RAL-colour	081248
Corner transmission cover	EV1 (silver-coloured)	012560
	white RAL 9016	018245
	RAL-colour	015459
Drilling gauge for timber window		059513
Drilling gauge for plastic and light alloy window		099512

# GEZE OL100 Accessory Gear

## Product features

- ▶ Slim design, fully concealed by profile
- ▶ High load-carrying (quadruple thread)
- ▶ On request:  
Adjustable anti-overload device (ex-factory default setting at 7 Nm)
- ▶ Only 10 crank revolutions for full opening of approx. 260 mm
- ▶ Stroke 66 mm
- ▶ Stroke limitation possible for opening widths up to approx. 150 mm
- ▶ Easy mounting
- ▶ Drive rod  $\varnothing 12$  mm, can be directly attached
- ▶ Scissor with sliding casement bracket required
- ▶ Supplementary locking devices might be mounted

## GEZE Corner angle gear Fz 100

For fixed or detachable cranking handle. For use on left or right. Also applicable for angular windows, due to bendable corner transmission.

### GEZE Corner angle gear Fz 100



Fig. 39-1

## Installation drawing

### GEZE Corner angle gear Fz 100

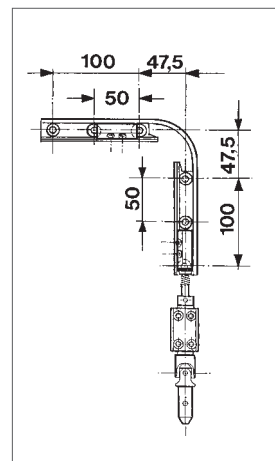


Fig. 39-2

## GEZE Vertical gear Fz 101

For fixed or detachable cranking handle. For use on left or right. Also applicable for angular windows, due to bendable corner transmission.

### GEZE Vertical gear Fz 101



Fig. 39-3

## Installation drawing

### GEZE Corner angle gear Fz 101

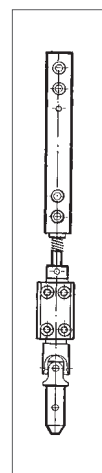


Fig. 39-4

## Note

When using supplementary locking devices a dimension D of 19 mm is required.

# GEZE OL100 Accessory

### Application range for rectangular windows

- ▶ For vertically installed bottom hung casements only
- ▶ Transmission possible on left and right

### Technical data for rectangular windows

Technical product description	
Casement width a	min. 600 mm
Casement height b	min. 400 mm
Distance from centre of gravity of casement to pivot point of hinge i	20 - 100 mm
Overlap depth Ü	0-25 mm
Outer edge of casement to centre of link arm D	please see table
Centre of transom section to centre of universal joint G (only vertical gear Fz 101)	
Space requirement at side X	D + 13 mm
Space requirement at side X min.	30 mm
Space requirement D at side	min. 17 mm
Space requirement at top Y	please see table

Casement height b	Dimension D at top	Space requirement Y at top
400 - 500 mm	21 mm	min. 34 mm
501 - 650 mm	19/21 mm	D + 13 mm
> 650 mm	17/19/21 mm	D + 13 mm

Rectangular window with GEZE Fz 100

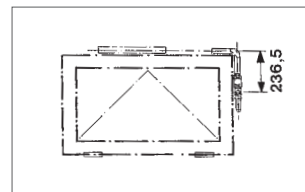


Fig. 40-1

Rectangular window with GEZE Fz 101

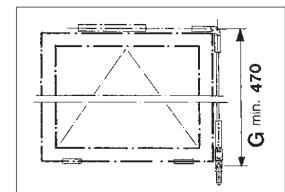


Fig. 40-2

### Application range for angular windows

- ▶ For vertically installed bottom hung inward opening casements only
- ▶ For 1 scissor only
- ▶ Transmission only possible via flush window angle

### Technical data for angular windows

Technical product description	
Casement width a	
Length of angled leg P	800-2000 mm
Angle at window W	90-150°
Casement height b2	min. 400 mm
Distance from centre of gravity of casement to pivot point of hinge i	20-100 mm
Overlap depth Ü	0-25 mm
Outer edge of casement to centre of link arm D	please see table
Space requirement at side X	D + 13 mm
Space requirement at side X min.	30 mm
Space requirement at side D	min. 17 mm
Space requirement Y	please see table

Casement height b2	Dimension D at top	Space requirement Y at top
400 - 500 mm	21 mm	min. 34 mm
ab 501 mm	19/21 mm	min. 32 mm

Angular window with GEZE Fz 100

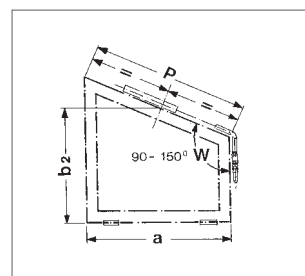


Fig. 40-3

Angular window with GEZE Fz 101

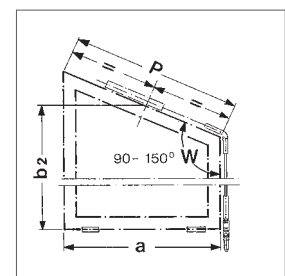


Fig. 40-4

### ID-No. of installation drawing

		Gear
Installation drawings	Angular window	40408-EP-006
	Rectangular window	40408-EP-001

# GEZE OL100 Accessory

## Special versions, supplementary locking device and concealed locking device with locking driver

Special versions of GEZE slimline fanlight opener OL100 scissor with anti-unhinge feature

The scissor with anti-unhinge feature prevents unauthorised unhinging of scissor.



Fig. 41-1

### Anti-unhinge feature

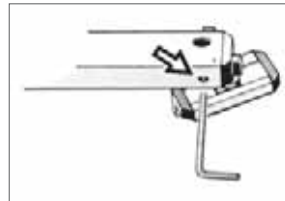


Fig. 41-2

### GEZE supplementary locking device

For use on opposite hand lever side a supplementary corner transmission ID-No. 058648 is required



Fig. 41-3

### Supplementary locking device

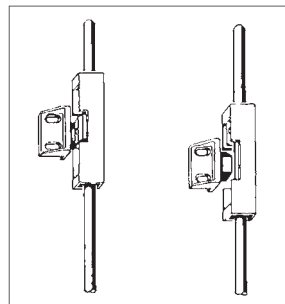


Fig. 41-4

### ID-Numbers of installation drawing

	Supplementary locking device
Installation drawing	40408-EP-008

### GEZE Concealed locking device

The GEZE locking drivers provide strength and safety over the entire closing surface as well as resistance to forced entry through their design for use with profiles and fittings.

The GEZE locking drivers can be used with standard central locking devices (concealed locking) and can be simply clamped on.

### GEZE coupling for concealed locking



Fig. 41-5

### Installation drawing

### GEZE coupling for concealed locking

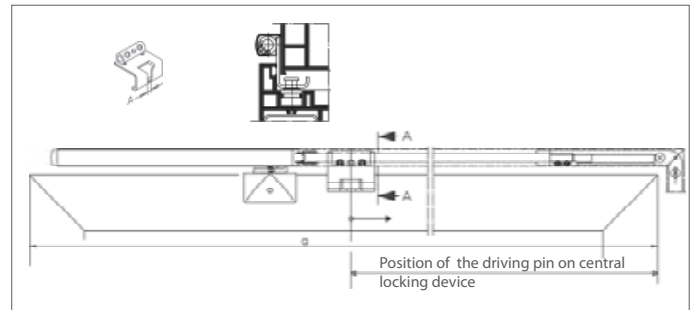


Fig. 41-6

### ID-Numbers of installation drawings

	Concealed Locking
Installation drawing	40408-EP-038

### GEZE OL100 Coupling with locking driver

	Min. casement width a	
	1 scissor	2 scissors
Hand lever / Gear	750	1200
GEZE E 212	850	1250
GEZE E 205	950	1351

### Note

The min. casement width and mounting dimensions refer only to the surface-mounted fanlight opener GEZE OL 100. For central locking devices other minimum casement width might be necessary.

# GEZE OL100 Accessory

## Ordering information

Description	Finish	ID-No.	
GEZE Fz 100 Corner operating gear	galvanised	018194	
GEZE Fz 101 Vertical gear	galvanised	018196	
Fixed cranking handle, with collapsible handle and cranking handle holder (fully extended length 1400 mm)	EV1 (silver-coloured)	050857	
	white RAL 9016	015864	
Fixed cranking handle, with collapsible handle and cranking handle holder (cut to length)	EV1 (silver-coloured)	077433	
	white RAL 9016	108476	
Detachable cranking handle, with collapsible handle and cranking handle holder (fully stretched length 1400 mm)	EV1 (silver-coloured)	050856	
	white RAL 9016	015879	
Detachable cranking handle, with collapsible handle and coupling hopper (cut to length)	EV1 (silver-coloured)	077434	
	white RAL 9016	108480	
Linkage bearing with bearing plate for gear and cranking handle	galvanised	022933	
	black	022934	
Connecting tube, outer diameter 15 mm, bearing length 6000 mm	EV1 (silver-coloured)	053262	
	white RAL 9016	014706	
Collapsible handle Fz 45/32	silver-coloured	056951	
	brown	056952	
	white	014795	
Bell socket Fz 45/14	silver-coloured	042963	
	brown	057591	
Dowel pin 4 x 16 mm	galvanised	022932	
Cranking handle holder Fz 45/8	silver-coloured	054560	
	brown	054561	
	white	014794	
Drilling gauge for connecting tube		059083	
On request Overload protection coated	EV1 (silver-coloured)	020226	
	white RAL 9016	020223	
Scissor with anti-unhinge feature	EV1 (silver-coloured)	006863	
	white RAL 9016	018262	
	RAL-colour	013809	
Supplementary locking device*)	EV1 (silver-coloured)	063974	
	white RAL 9016	018257	
	RAL-colour	013080	
	Overlap depth 0-10 mm	EV1 (silver-coloured)	050727
		white RAL 9016	015519
		RAL-colour	013077
GEZE coupling for concealed locking A = 8,5 OL100 for aluminium windows	galvanised	024954	
GEZE coupling for concealed locking A = 11,5 OL100 for aluminium windows	galvanised	029717	
GEZE coupling for concealed locking A = 8,5 OL100 for light alloy windows		028905	
GEZE coupling for concealed locking A = 8,5 OL100 for timber/plastic windows		029855	
		029856	
		030295	

Rods, cover profiles and, if requested supplementary scissors, please see GEZE OL 100 standard version

\*) For use of opposite hand lever side a supplementary corner transmission is required.

# GEZE FPS

## Gripping and cleaning scissor

GEZE Gripping and cleaning scissor



Fig. 43-1

In addition to fanlight fittings, restricting devices must be mounted in the case of bottom hung windows. These devices restrict the travel of the casement (gripping position) so that the casement does not become a potential danger.

GEZE FPS is the 'intelligent' gripping and cleaning scissor for vertically installed rectangular bottom hung casements.

Gripping pins in a telescopic bar slide along wave-shaped guides until cleaning position is reached. To do this, only the left-hand bar has to be lifted by hand. If the casement falls open, the gripping pins move through the guide into the gripping hook, thus stopping the casement from falling further. 2 FPS units and 2 accessory fixing plates for timber, plastic and light alloy windows are required for each casement.

### Product features

- ▶ For use with OL90 N, OL95 and OL100
- ▶ Casement height: min. 340 mm, max. 2000 mm
- ▶ Available in three different sizes:
  - Size 1 casement height from 340 mm (LM) / 360 mm (timber, plastic)
  - Size 2 casement height from 520 mm (LM) / 540 mm (timber, plastic)
  - Size 3 casement height from 720 mm (LM) / 740 mm (timber, plastic)
- ▶ For vertically installed rectangular windows with fanlight opener
  - rebate width min. 11 mm,
  - rebate width min. 18 mm
- ▶ High degree of safety due to numerous gripping positions
- ▶ Casement and frame components can be detached for mounting and transport
- ▶ Mounting template

### GEZE Gripping and cleaning scissor FPS

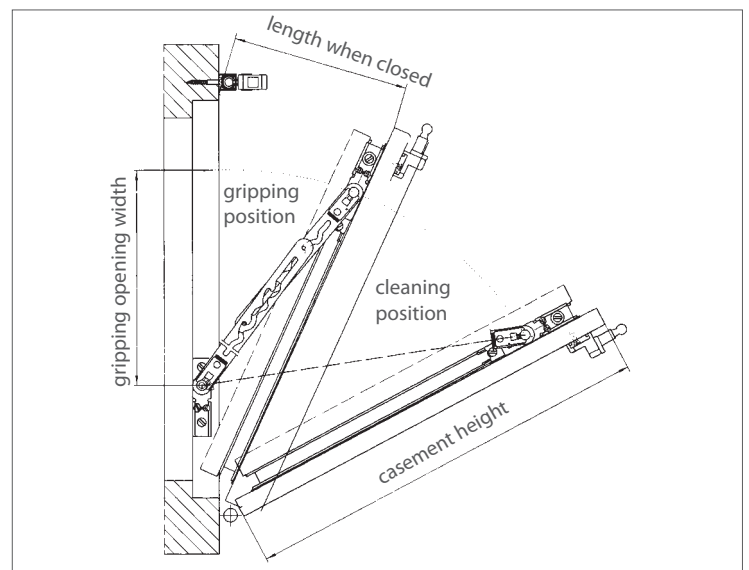


Fig. 43-2

### Installation drawings

#### GEZE Gripping and cleaning scissor FPS for plastic

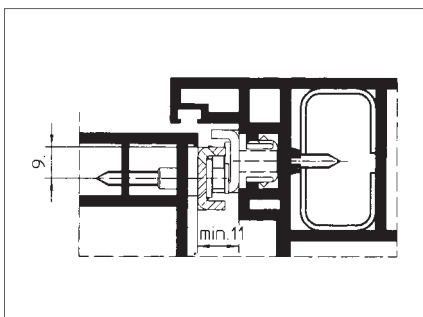


Fig. 43-3

#### GEZE Gripping and cleaning scissor FPS for timber

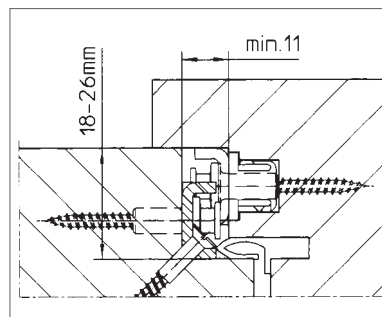


Fig. 43-4

#### GEZE Gripping and cleaning scissor FPS for light alloy

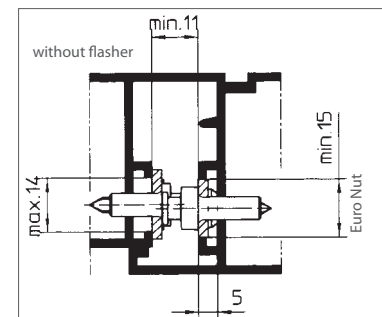


Fig. 43-5

### ID-No. of installation drawings

		FPS
Installation drawings	Light alloy	413130-0-004
	Timber/ Plastic	41313-0-005

### Note

If required, various mounting shims are available for different profiles.

# GEZE FPS

## Application range gripping and cleaning scissors

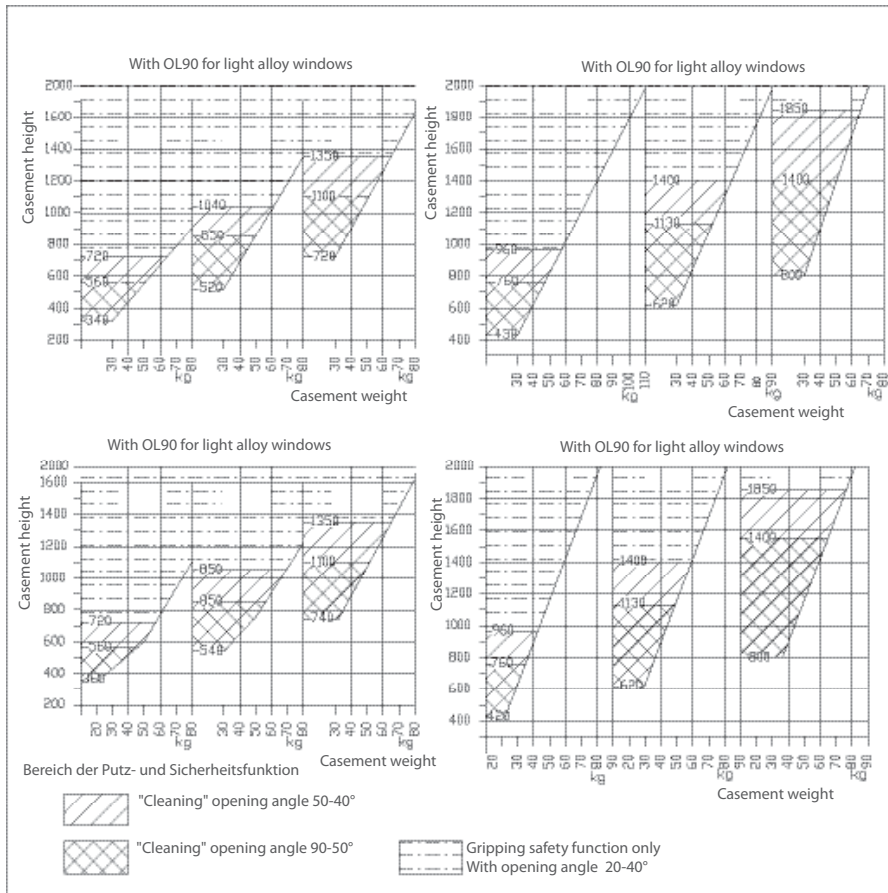


Fig. 44-1

## Ordering information

Description		Furnish	ID-No.
GEZE FPS 340, Size 1		galvanised steel	030249
GEZE FPS 520, Size 2		galvanised steel	030250
GEZE FPS 720, Size 3		galvanised steel	030251
FPS Accessory, mounting parts for light alloy windows			030252
FPS Accessory, mounting parts for timber and plastic windows			030253
FPS Accessory, mounting parts plastic windows			070182
Casement shim	4 mm		009324
	5 mm		009325
	7 mm		013305
	8 mm		025635
	9 mm		009321
Frame shim	3 mm for light alloy windows		009326
	5 mm for light alloy windows		009328
	3 mm for plastic windows		029334
	5 mm for plastic windows		029335
Angled rebate plastic windows			030383
Mounting templates			024741

# GEZE E212 R, E212 R1 and E205

## Electric drives for use with slimline fanlight openers



GEZE Electric drive E205



Fig. 45-1

GEZE Electric drive E212



Fig. 45-2

The GEZE slimline fanlight openers OL90 / OL95 and OL100 can be operated with electric drives E212 R, E212 R1 and E205. For various heavy windows these are cost effective and simple solutions for automatic activation of scissors. The slim design allows elegant adaption to the window bank, even in limited space situations.

### Product features

- ▶ Suitable for left, right, vertically and horizontally mounting
- ▶ Completely pre-assembled units, thus only few fitting components necessary
- ▶ Easy mounting with coverable screws, situated on the outside
- ▶ Low space requirement on top and to side of casements
- ▶ With integrated, adjustable limit switches
- ▶ Integrated motor protection (thermal latch integrated in winding)
- ▶ Stroke adjustable
- ▶ Gears also applicable for louvred windows

GEZE Electric drive E212 R

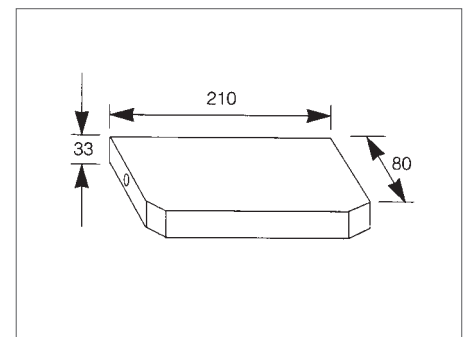


Fig. 45-3

### Technical data

Technical product description		
Electric drive	E212R / E212R1	E205
Dimensions (L x B x H)	210 x 33 x 80	360 x 52 x 70
Connecting voltage	230 V AC	230 V AC
Power consumption	0,4 A	0,6 A
Stroke	max. 66 mm	max. 70 mm
Pulling- and pushing force	1400 N	2000 N
Operating time	only approx. 30 Sec. for 52 mm sttroke	45 Sec. for 70 mm
Output	90 VA	138 VA
Protection class	IP 52	IP54
Short-time service / continous duty	ED 25 %	7 Min.
Temperature range	-20 °C to +70 °C	-20 °C to +70 °C
Combination	max. 6 drives	max. 6 drives

# GEZE E212 R, E212 R1 and E205

### Application area

- ▶ For rectangular, vertically installed inward opening bottom hung windows
- ▶ For light alloy, plastic and timber windows

### Installation drawing

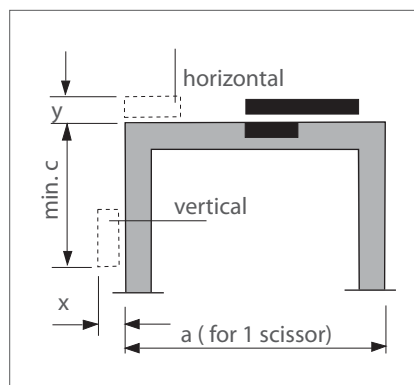


Fig. 46-1

Installation dimensions (mm)	E212	E205
y	mind. 36	mind. 55
x	mind. 36	mind. 55
c	mind. 500	mind. 620
a horizontal mounting	mind. 600	mind. 775
a vertical mounting	mind. 380	mind. 380

based on casement height of min. 300 mm

### Installation drawing and connecting diagrams

Product	E212			E205		
Installation drawing	with OL90 N	horizontal mounting	40444-EP-003	with OL90 N	horizontal mounting	40444-EP-019
		vertical mounting	40444-EP-004		vertical mounting	40444-EP-020
	with OL95	horizontal mounting	40445-EP-03	with OL95		
		vertical mounting	40445-EP-04			
	with OL100	horizontal mounting	40408-EP-030	with OL100	horizontal mounting	40444-EP-003
		vertical mounting	40408-EP-029		vertical mounting	40408-EP-002
Connecting diagrams	E212		45109-9-0950			
	E212 R1		45109-9-0959			45106-9-0954

### Installation situation

Cardiac Centre, Bad Krotzingen



Fig. 46-2

### GEZE OL with E212

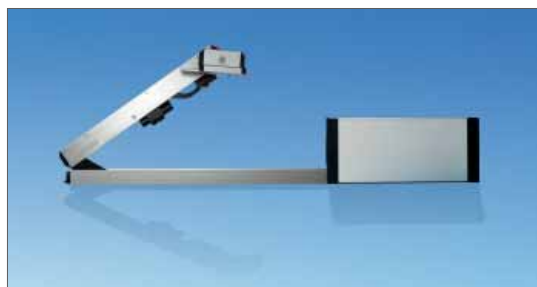


Fig. 46-3

### Note

For use at bottom hung windows, for product liability reasons, we do prescribe to install separate safety scissors. These represent an additional safety device, which assures a permanent connection between casement and frame, e.g. GEZE FPS Gripping and cleaning scissors horizontally vertically

# GEZE E212 R, E212 R1 and E205

## Accessory GEZE E212 R, E212 R1 and E205

Adjusting device for GEZE E212 R and GEZE E205



Fig. 47-1

For adjustment of the opening system with electric linear drive during installation

Adjusting device for all GEZE E212 R1



Fig. 47-2

For adjustment of the opening system with electric linear drive during installation

## Ordering information

Description	Finish	ID.-No.
Electric drive GEZE E212 R1 / 230 V AC	EV1	020835
	white RAL 9016	020839
	RAL-colour	020838
Electric drive GEZE E212 R / 230 V AC	EV1	005428
	white RAL 9016	015435
	RAL-colour	006683
Electric drive GEZE E 205 / 230 V AC	EV1	004825
	white RAL 9016	027099
	RAL-colour	027098
Connecting side E205		030870
Adjusting device E212 R and E205		054371
Adjusting device E212 R1		026762

# Accessory

Vent switch AS 500 LTA-LSA



Fig. 48-1

- ▶ 230 V
- ▶ for single control
- ▶ for linear electric drive E212 R1
- ▶ 3 position
- ▶ With control keys ON-OFF
- ▶ Stop function can be selected
- ▶ For flush mounting

Description	ID-No.
AS 500 LTA-LSA	118476

Vent switch AS 500 LTA-230



Fig. 48-2

- ▶ 230 V
- ▶ for multi-unit control
- ▶ for linear electric drives E212 R and E205
- ▶ in addition with self-fixing device for linear electric drives E212 R1
- ▶ 3 position
- ▶ With control keys ON-OFF
- ▶ For flush mounting

Description	ID-No.
AS 500 LTA 24	118474
Self-fixing device	029393

Vent switch AS 500 LTA-SCT



Fig. 48-3

- ▶ 230 V
- ▶ for multi-unit control
- ▶ for linear electric drives E212 R and E205
- ▶ in addition with self-fixing device for linear electric drives E212 R1
- ▶ 3 position
- ▶ With control keys ON-OFF-STOP
- ▶ Combined with key switch
- ▶ In 2 gang frame
- ▶ For flush mounting

Description	ID-No.
AS 500 LTA-SCT	118475

# Overview

GEZE Scissor OL90 N



Fig. 49-1

GEZE Hand lever



Fig. 49-2

GEZE Corner transmission



Fig. 49-3

GEZE Corner transmission gear Fz 90 left



Fig. 49-4

GEZE Vertical gear Fz 91 with corner transmission



Fig. 49-5

GEZE Gear Fz 92



Fig. 49-6

GEZE Scissor with anti-unhinge



Fig. 49-7

GEZE Hand lever with bendable corner



Fig. 49-8

GEZE OL90 N Scissor with sliding casement bracket



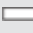


Fig. 49-9

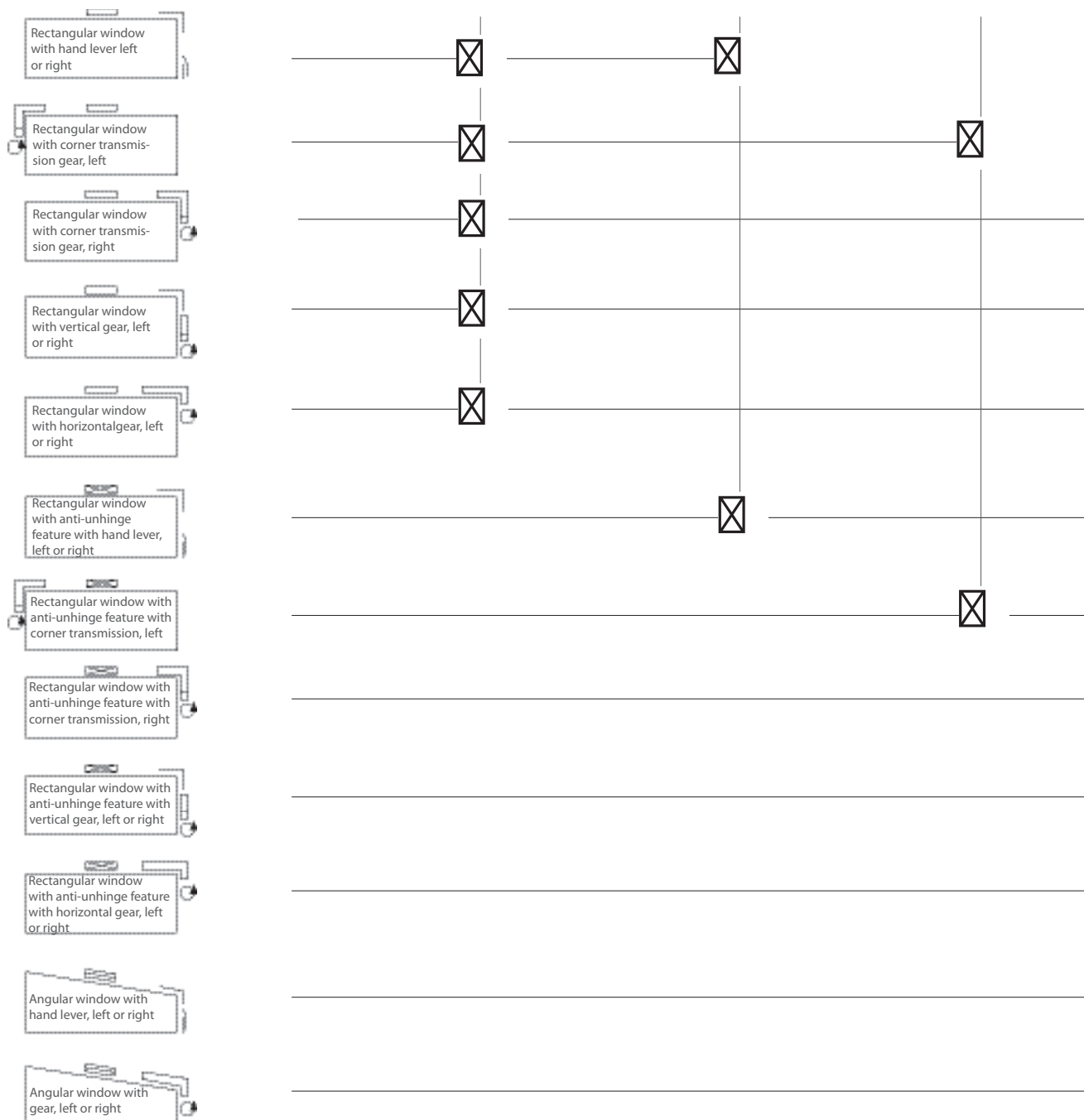


Fig. 49-10




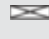


# Overview

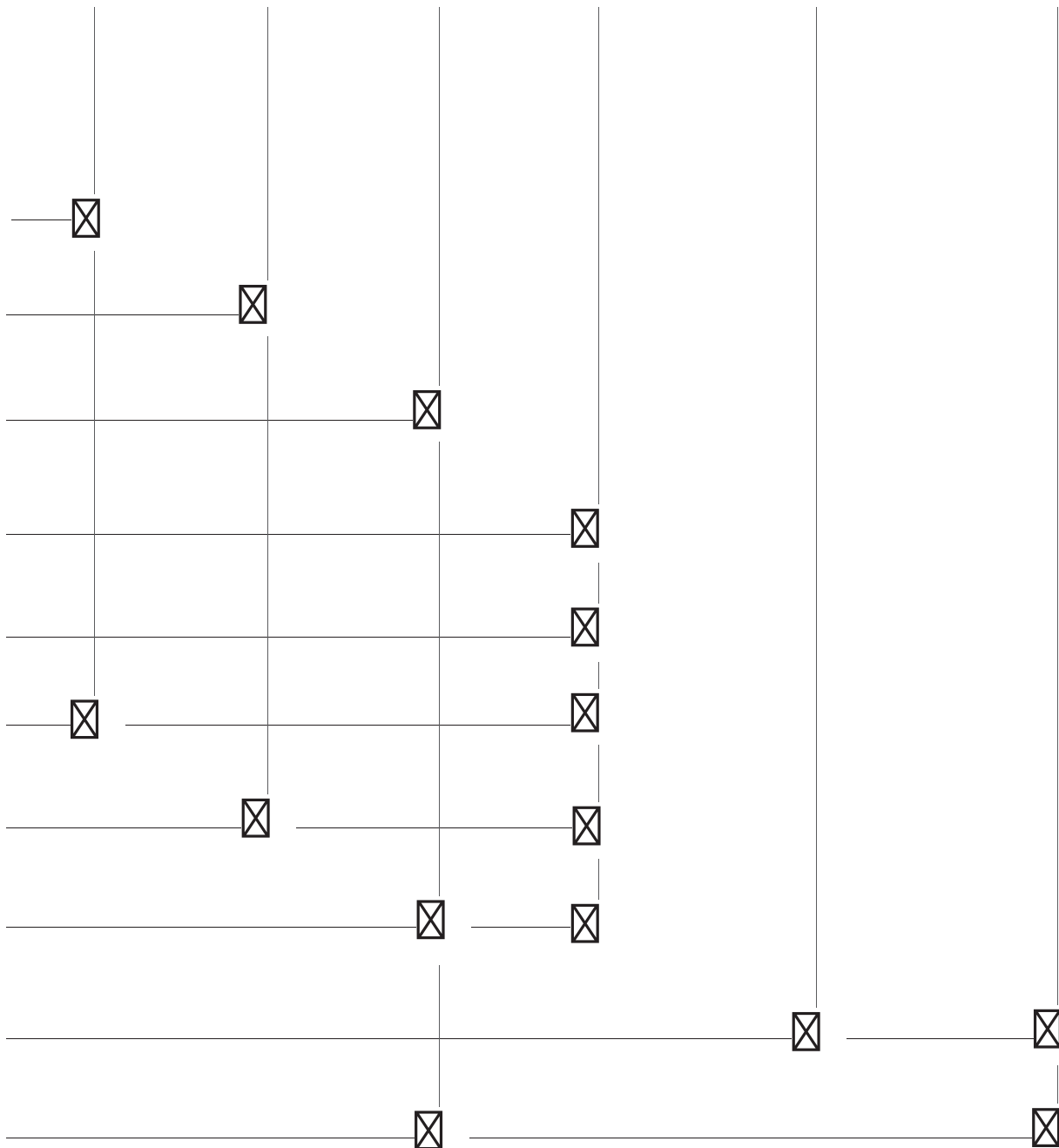
## Applications of packaging units GEZE OL90 N Slimline fanlight opener

Applications of packaging units	Packing units					
	ID-No.		ID-No.		ID-No.	
	Scissor		Hand lever with corner transmission		Corner opening gear Fz 90 left	
	silver-coloured	030373	silver-coloured	030611	silver-coloured	030809
white RAL 9016	030377	white RAL 9016	030615	white RAL 9016	030810	
						



# Overview

Packing units					
ID-No.	ID-No.	ID-No.	ID-No.	ID-No.	ID-No.
Corner operation gear Fz 90 right	Vertical gear Fz 91 with corner transmission	Gear Fz 92	Scissor with anti-unhinge feature	Hand lever with bendable corner transmission	Scissor with sliding casement bracket
galvanised 030811 black 030812	galvanised 030817 black 030818	silver-coloured/ white 030778	silver-coloured 030498 white RAL 9016 030502	silver-coloured 076911 white RAL 9016 076915	silver-coloured scissor & corresp. casement bracket white RAL 9016
					



**GEZE GmbH**

**P.O. Box 1363**  
**71226 Leonberg**  
**Germany**

GEZE GmbH  
 Reinhold-Vöster-Straße 21-29  
 71229 Leonberg  
 Germany  
 Telefon +49 (0) 7152-203-0  
 Telefax +49 (0) 7152-203-310

**www.geze.com**

**Germany**

**GEZE GmbH**  
 Niederlassung Nord/Ost  
 Bühringstraße 8  
 13086 Berlin (Weissensee)  
 Tel. +49 (0) 30-47 89 90-0  
 Fax +49 (0) 30-47 89 90-17  
 E-mail: berlin.de@geze.com

**GEZE GmbH**

Niederlassung West  
 Nordsternstraße 65  
 45329 Essen  
 Tel. +49 (0) 201-83082-0  
 Fax +49 (0) 201-83082-20  
 E-mail: essen.de@geze.com

**GEZE GmbH**

Niederlassung Mitte  
 Adenauerallee 2  
 61440 Oberursel (b. Frankfurt)  
 Tel. +49 (0) 6171-63610-0  
 Fax +49 (0) 6171-63610-1  
 E-mail: frankfurt.de@geze.com

**GEZE GmbH**

Niederlassung Süd  
 Reinhold-Vöster-Straße 21-29  
 71229 Leonberg  
 Tel. +49 (0) 7152-203-594  
 Fax +49 (0) 7152-203-438  
 E-mail: leonberg.de@geze.com

**GEZE Sonderkonstruktionen GmbH**

Planken 1  
 97944 Boxberg-Schweigern  
 Tel. +49 (0) 7930-9294-0  
 Fax +49 (0) 7930-9294-10  
 E-mail: sk.de@geze.com

**GEZE Service GmbH**

Reinhold-Vöster-Straße 25  
 71229 Leonberg  
 Tel. +49 (0) 7152-9233-0  
 Fax +49 (0) 7152-9233-60  
 E-mail: info@geze-service.com

**Germany**

**GEZE Service GmbH**  
 Niederlassung Berlin  
 Bühringstraße 8  
 13086 Berlin (Weissensee)  
 Tel. +49 (0) 30-470217-30  
 Fax +49 (0) 30-470217-33

**Austria**

**GEZE Austria GmbH**  
 Mayrwiesstraße 12  
 5300 Hallwang b. Salzburg  
 Tel. +43 (0)662-663142  
 Fax +43 (0)662-663142-15  
 E-mail: austria.at@geze.com

**Asia Pacific**

**GEZE Asia Sales Ltd.**  
 No. 88-1-408, East Road  
 Free Trade Zone of Tianjin Port  
 Tianjin, P.R. China  
 Tel. +86 (0)22-26 97 39 95-0  
 Fax +86 (0)22 26 97 27 02  
 E-mail: Asiasales-info@geze.com.cn

**Baltic States**

**GEZE Baltic States**  
 Dzelzavas iela 120 S  
 1021 Riga  
 Tel. +371 (0)67 896 035  
 Fax +371 (0)67 896 036  
 E-mail: office-latvia@geze.com

**Benelux**

**GEZE Benelux B.V.**  
 Leemkuil 1  
 Industrieterrein Kapelbeemd  
 5626 EA Eindhoven  
 Tel. +31 (0)40-26290-80  
 Fax +31 (0)40-26290-85  
 E-mail: benelux.nl@geze.com

**China**

**GEZE Industries (Tianjin) Co., Ltd.**  
 Shuangchenzhong Road  
 Beichen Economic Development Area (BEDA)  
 Tianjin 300400, P.R. China  
 Tel. +86 (0)22-26973995-0  
 Fax +86 (0)22-26972702  
 E-mail: Sales-info@geze.com.cn

**GEZE Industries (Tianjin) Co., Ltd.**  
 Branch Office Shanghai  
 R. 3010, Tower 2, Grand Gateway  
 No. 3 Hongqiao Road  
 XuHui District  
 200030 Shanghai, P.R. China  
 Tel. +86 (0)21-644 75 908  
 Fax +86 (0)21-644 72 007  
 E-mail: gezesh@geze.com.cn

**China**

**GEZE Industries (Tianjin) Co., Ltd.**  
 Branch Office Guangzhou  
 Room 17C3  
 Everbright Bank Building, No. 689  
 Tian He Bei Road  
 510630 Guangzhou, P.R. China  
 Tel. +86 (0)20-38 73 18 42  
 Fax +86 (0)20-38 73 18 34  
 E-mail: gezegz@geze.com.cn

**GEZE Industries (Tianjin) Co., Ltd.**  
 Branch Office Beijing  
 No. 6-32 Building  
 Jili Avenue  
 Daxing District  
 100076 Beijing, P.R. China  
 Tel. +86-(0)10-87 97 51-77/-78  
 Fax +86-(0)10-87 97 51-71  
 E-mail: gezebj@geze.com.cn

**GEZE Sonderkonstruktionen (Tianjin), Ltd.**  
 No. 6-32 Building  
 Jili Avenue  
 Daxing District  
 100076 Beijing, P.R. China  
 Tel. +86-(0)10-87 96 51-52  
 Fax +86-(0)10-87 97 14-76  
 E-mail: SalesSK-info@geze.com.cn

**France**

**GEZE France S.A.R.L.**  
 ZAC de l'Orme Rond  
 RN 19  
 77170 Servon  
 Tel. +33 (0)1-60626070  
 Fax +33 (0)1-60626071  
 E-mail: france.fr@geze.com

**Hungary**

**GEZE Hungary**  
 Bartók Béla út 105 – 113  
 1115 Budapest  
 Tel. + 36 (0)1 481 4670  
 Fax + 36 (0)1 481 4671  
 E-mail: office-hungary@geze.com

**Iberia**

**GEZE Iberia S.R.L.**  
 Pol. Ind. El Pla  
 C/ Comerç, 2-22, Nave 12  
 08980 Sant Feliu de Llobregat  
 (Barcelona)  
 Tel. +34 (0)9-02 19 40 36  
 Fax +34 (0)9-02 19 40 35  
 E-Mail info@geze.es

**India**

**GEZE India**  
 409, Apeejay Business Center  
 39, Haddows Road  
 Chennai – 600 006  
 Tamil Nadu  
 Tel. + 91 (0)44 2821 1300  
 Fax + 91 (0)44 2821 1300  
 E-mail: office-india@geze.com

**Italy**

**GEZE Italia Srl**  
 Via Giotto, 4  
 20040 Cambiago (MI)  
 Tel. +39 02 95 06 95-11  
 Fax +39 02 95 06 95-33  
 E-Mail italia.it@geze.it

**GEZE Engineering Roma Srl**  
 Via Lucrezia Romana, 91  
 00178 Roma  
 Tel. +39 06-7265311  
 Fax +39 06-72653136  
 E-mail: roma@geze.biz

**Kazakhstan**

**GEZE Central Asia**  
 384 Raiymbek ave., 3rd Floor  
 050061 Almaty  
 Tel. + 7 (0)777 265 06 05  
 E-mail: office-kazakhstan@geze.com

**Poland**

**GEZE Polska Sp. z o.o.**  
 ul. Annopol 3 (Zeran Park)  
 03-236 Warszawa  
 Tel. +48 (0)22-8142211  
 Fax +48 (0)22-6142540  
 E-mail: geze@geze.pl

**Romania**

**GEZE Romania**  
 Str. Ionescu Baican nr. 22  
 021835 Bucuresti, sector 2  
 Tel. +40 (0)21 250 77 50  
 Fax +40 (0)21 250 77 50  
 E-mail: office-romania@geze.com

**Russian Federation**

**GEZE Russia**  
 Kolodesnij pereulok 3, Str. 25  
 Office No. 5201-5203  
 107076 Moscow  
 Tel. +7 (0)495 589 9052  
 Fax +7 (0)495 589 9051  
 E-mail: office-russia@geze.com

**Scandinavia**

**GEZE Scandinavia AB**  
 Mallslingan 10  
 Box 7060  
 18711 Täby, Sweden  
 Tel. +46 (0)8-7323-400  
 Fax +46 (0)8-7323-499  
 E-mail: sverige.se@geze.com

**GEZE Scandinavia AB avd. Norge**  
 Postboks 63  
 2081 Eidsvoll, Norway  
 Tel. +47 (0)6 39-57 200  
 Fax +47 (0)6 39-57 173  
 E-mail: norge.se@geze.com

**GEZE Finland**  
 Branch office of GEZE Scand. AB  
 Postbox 20  
 158 71 Hollola  
 Tel. +358 (0)10-400 51 00  
 Fax +358 (0)10-400 51 20  
 E-mail: finland.se@geze.com

**Scandinavia**

**GEZE Denmark**  
 Branch office of GEZE Scand. AB  
 Høje Taastrup Boulevard 53  
 2630 Taastrup  
 +45 (0)46-323324  
 +45 (0)46-323326  
 E-Mail: danmark.se@geze.com

**South Africa**

**DCLSA Distributors (Pty.) Ltd.**  
 1027 Richards Drive, Midrand  
 P.O. Box 7934  
 Midrand 1685  
 Tel. +27 (0)11 315 82 86  
 Fax. +27 (0)11 315 82 61  
 E-mail: info@dclsa.co.za

**Switzerland**

**GEZE Schweiz AG**  
 Bodenackerstrasse 79  
 4657 Dulliken  
 Tel. +41 (0)62-285 54 00  
 Fax +41 (0)62-285 54 01  
 E-mail: schweiz.ch@geze.com

**GEZE Security Systems GmbH**  
 Bodenackerstrasse 79  
 4657 Dulliken  
 Tel. +41 (0)62-285 55 00  
 Fax +41 (0)62-285 55 01  
 E-mail: schweiz.ch@geze.com

**Turkey**

**GEZE Turkey**  
 Atatürk mah. Ata 2-3  
 PLAZA kat 9 D. 84  
 34757 Atasehir – Istanbul  
 Tel. + 90 (0)216 4554315  
 Fax + 90 (0)216 4558215  
 E-mail: office-turkey@geze.com

**Ukraine**

**GEZE Ukraine**  
 Vikentija Hvojki str. 21  
 Office 151  
 04655 Kiev  
 Tel. +380 (0)44 499 77 25  
 Fax +380 (0)44 499 77 25  
 E-mail: office-ukraine@geze.com

**United Arab Emirates/GCC**

**GEZE Middle East**  
 P.O. Box 17903  
 Jebel Ali Free Zone  
 Dubai  
 Tel. +971 (0)4-8833112  
 Fax +971 (0)4-8833240  
 E-mail: geze@emirates.net.ae

**United Kingdom**

**GEZE UK Ltd.**  
 Blenheim Way  
 Fradley Park  
 Lichfield  
 Staffordshire WS13 8SY  
 Tel: +44 (0) 1543 443000  
 Fax: +44 (0) 1543 443001  
 Email: info@geze-uk.com

**GEZE representative**