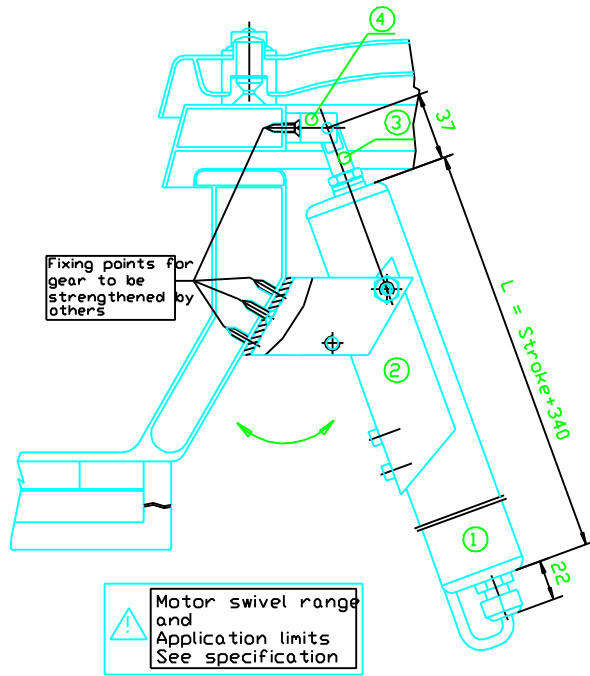
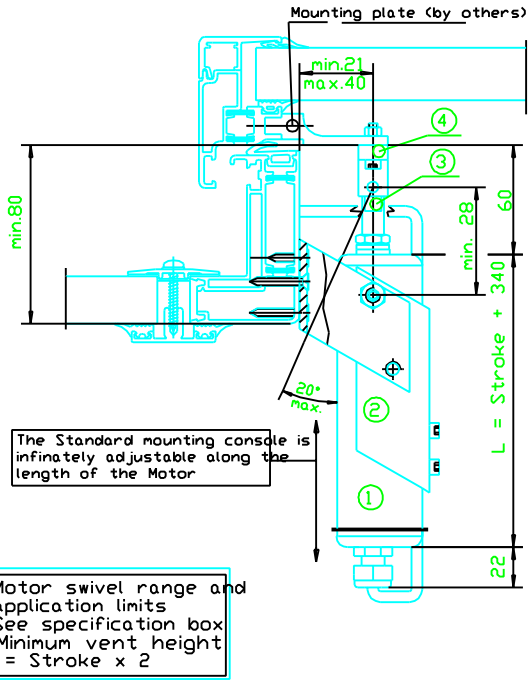


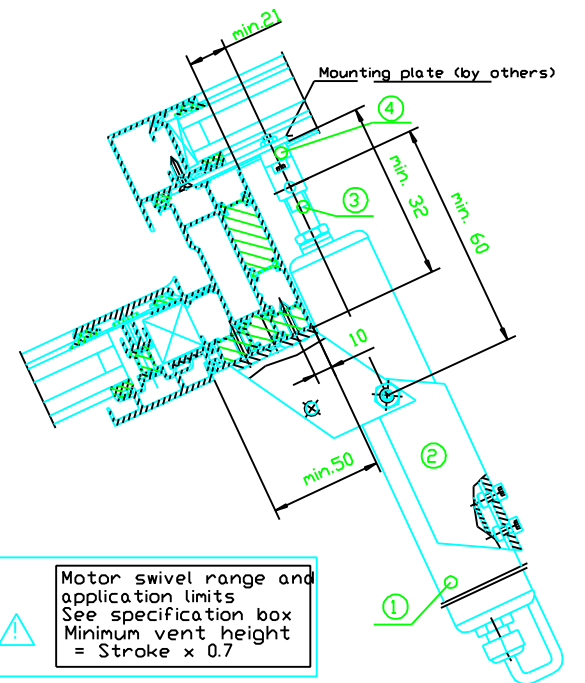
Dome light mounting



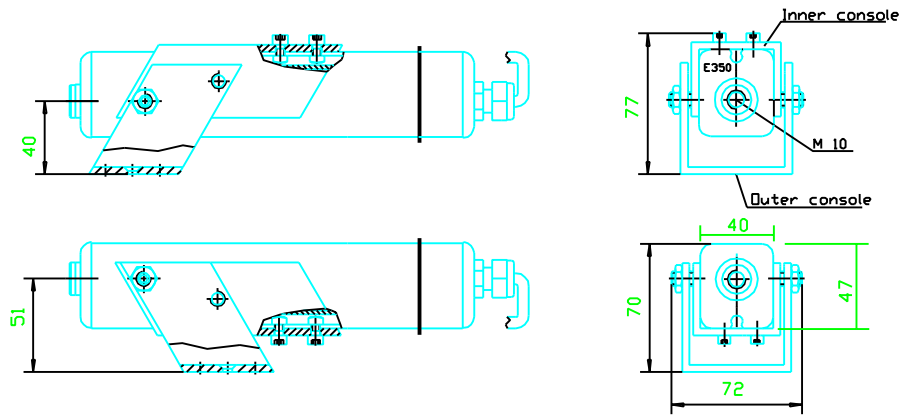
Horizontal vent mounting



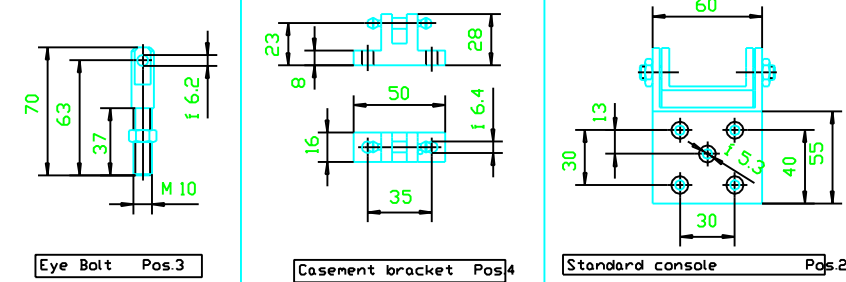
Roof light mounting



Optional console mounting



Items included in "Standardconsole E250/E350"



TECHNICAL DATA

Power supply	230V - 50Hz
Mains wiring req.	3x1.5mm² with EARTH
Cable supplied	3x0.5mm² (2.5m long)
Protection	IP 65
Current consumpt.	0.26A
Power rating	60VA
Max. motor run time	minutes
Reset time	8 minutes
Power factor	0.95
Grouping	Max. 6 motors via 1 switch
Force	900N
Motor length	Stroke + 340mm
Travel time	30 seconds/100mm travel
Temperature range	20°C +70°C

Date	28.06.95	Name	pl.
App.			
Norm			



GEZE GmbH & Co.
P.O. Box 13 63
71226 Leonberg
Germany

E350 SPINDLE DRIVE MOTOR For Rooflights and Dome lights

Scale	%	Ident. Nr.		Drawing No.	GZ0258
-------	---	------------	--	-------------	--------

This drawing shows the actual stage of product development at the date on the drawing or the revision date. No claims or damages in any form can be made against GEZE as a result of the interpretation of this drawing. This drawing remains the property of GEZE and is made available to third parties only for the duration of contractual obligations. All rights connected with this drawing remain in possession of GEZE. This drawing may not be copied or handed over to third parties without the express consent of GEZE.

