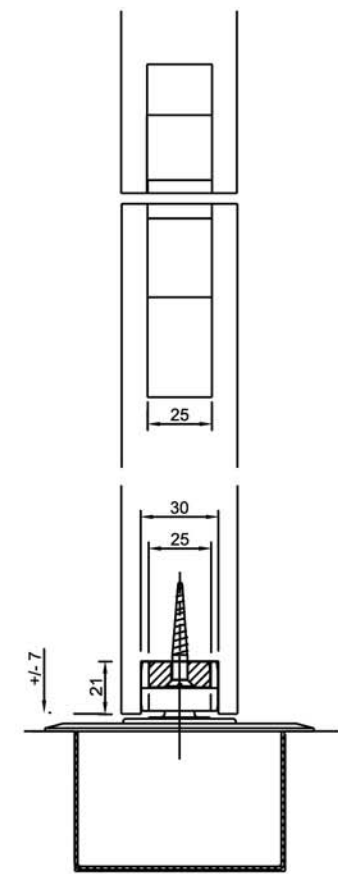
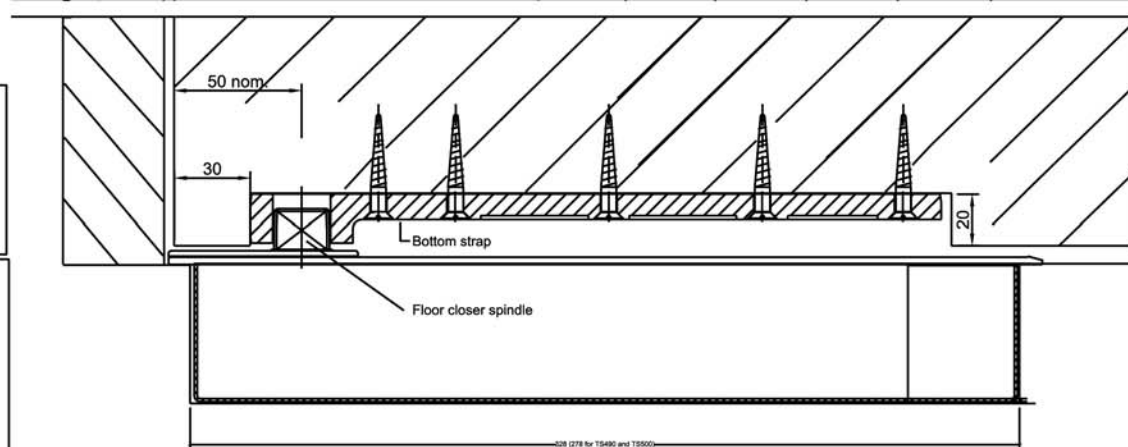
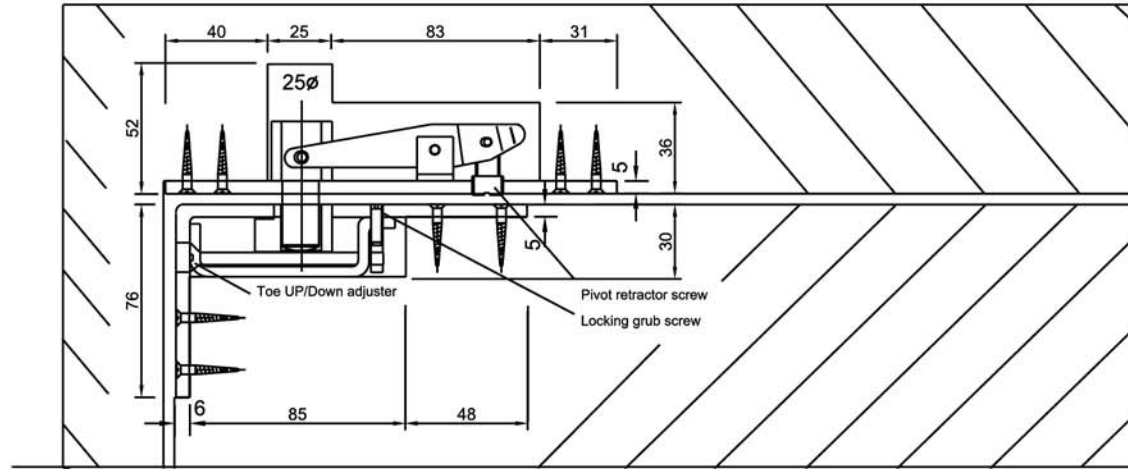
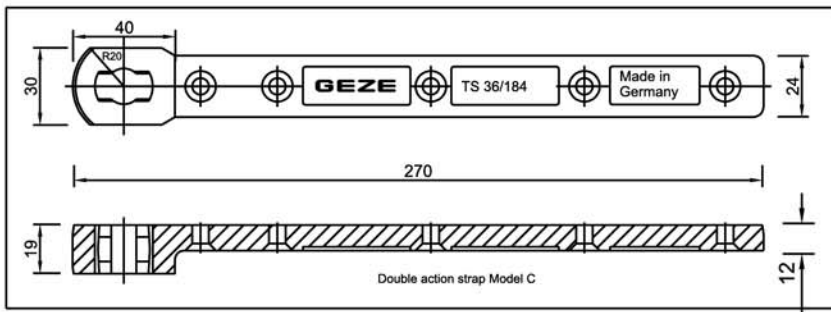
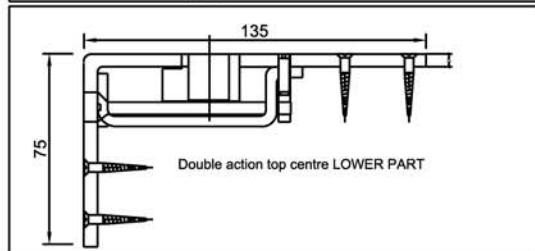
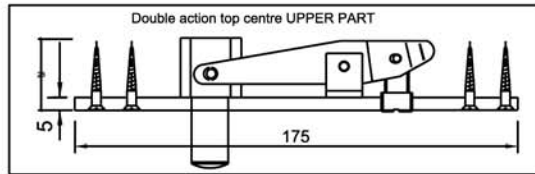


FITTING INSTRUCTIONS

1. Cut out frame, door top rail and door bottom rail as per diagram
2. Screw all parts into position with screws provided and retract top pivot
3. Load door onto floor closer spindle and position under top pivot
4. Lower top pivot into receiving hole
5. Check position of door in relation to frame and adjust accordingly
6. Tighten all clamping screws and top centre grub screw.
7. Open door to full extent and adjust closing speed and supplementary valves
8. Fit cover plate to floor spring
9. See adjusting instructions relating to each type of floor closer.



SB	A	Date	Reason for change		
Drawn	Rev	Date	App'd	Scale	Date
Drawing No.					
TBUK/BAU/FITDA			--	NTS	05.01.04
Title					
DOUBLE ACTION FITTINGS					



GEZE UK Ltd
 Blenheim Way
 Fradley Park
 Lichfield
 STAFFORDSHIRE
 WS13 8SY
 TEL +44 (0)1543 44 30 00
 FAX +44 (0)1543 44 30 01 www.geze.com

This drawing shows the actual stage of product development at the date indicated.
 No claims or damages in any form can be made against GEZE as a result of the interpretation of this drawing. This drawing remains the property of GEZE and is made available to third parties only for the duration of contractual obligations. All rights connected with this drawing remain in possession of GEZE. This drawing may not be copied or handed over to third parties without the express consent of GEZE.