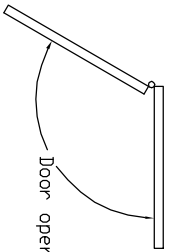
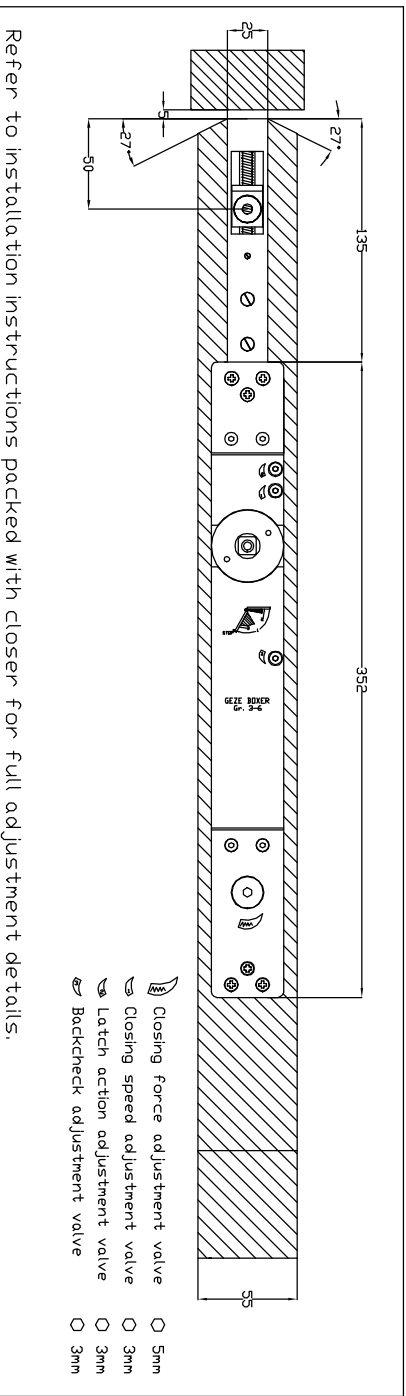
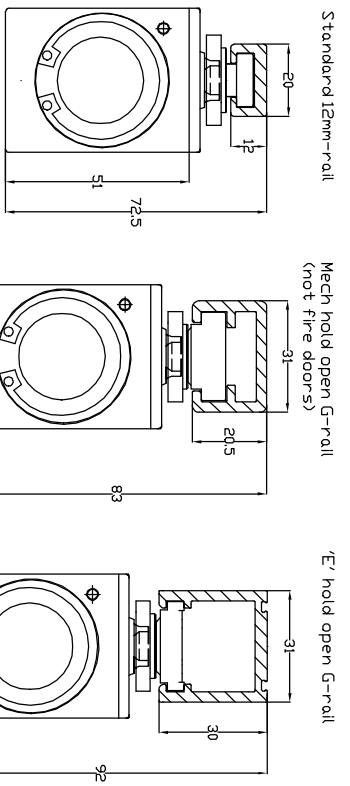
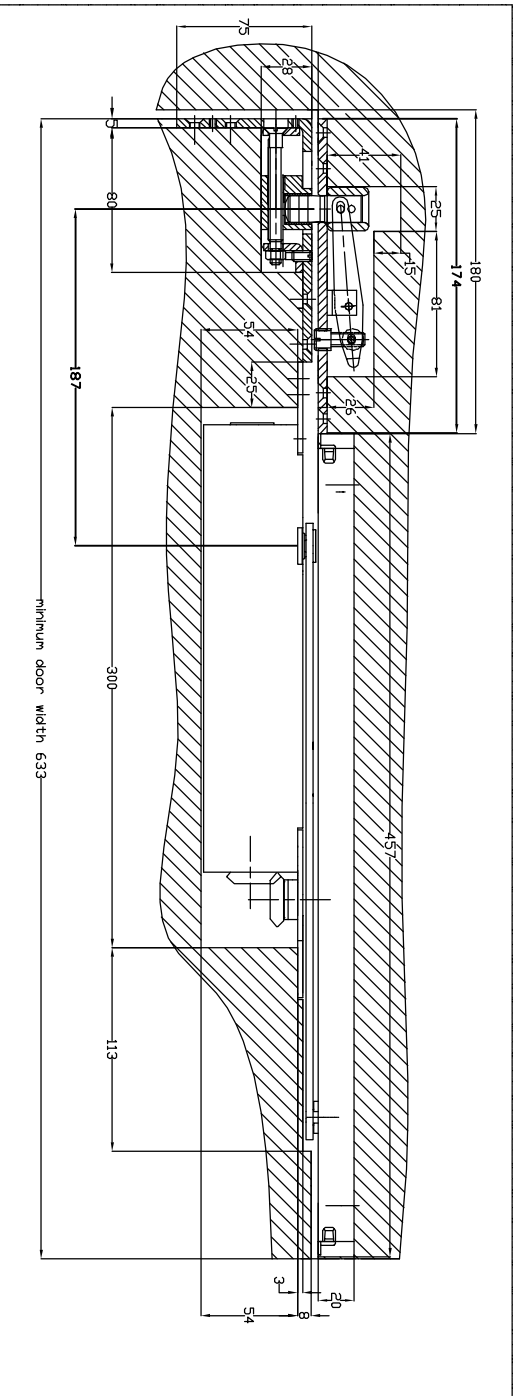


GEZE Boxer Size 3-6 with 12 mm guide rail Installation Dimensions

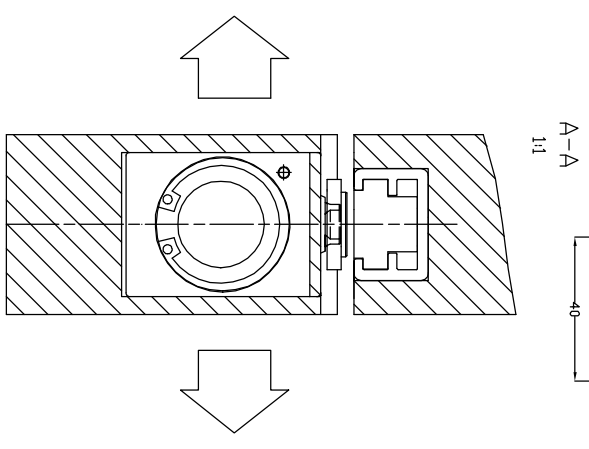


See also installation instructions for double action accessories



Refer to installation instructions packed with closer for full adjustment details.

- Closing force adjustment valve 5mm
- Closing speed adjustment valve 3mm
- Latch action adjustment valve 3mm
- Backcheck adjustment valve 3mm



NB. Where intumescent are to be fitted, 1mm must be added to all dimensions.

Description	Part No.
Boxer 3-6 mechanism	99735
Standard 12mm-rail	129344
Mech hold open G-rail	104246
Electro-hold open G-rail	120077
Intumescent pack 3-6	103728
Standard G-rail intumescent	103729
E-guide rail intumescent	103730
TOP centre intumescent	103731

GEZE Boxer Size 3-6
Double action - Timber

This drawing shows the actual stage of product development at the date indicated. No claims or damages in any form can be made against GEZE as a result of the interpretation of the drawing. The drawing is for the use of construction details. All rights connected with this drawing remain in possession of GEZE. This drawing may not be copied or handed over to third parties without the express consent of GEZE.

Scale 1:2 1:1

DATE	BY	NAME	MATERIAL NO.
02/2013	SH		

GEZE UK Ltd
Colchester Rd
Essex, CH2 5LA
Page / of
1 / 1
Drawing No.