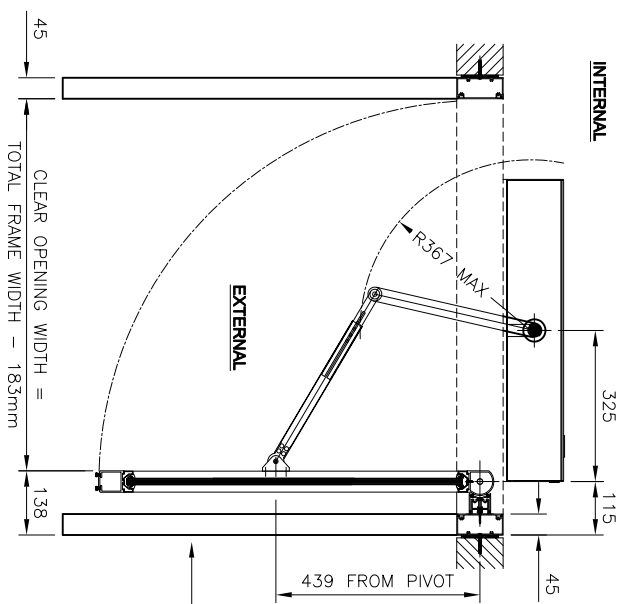
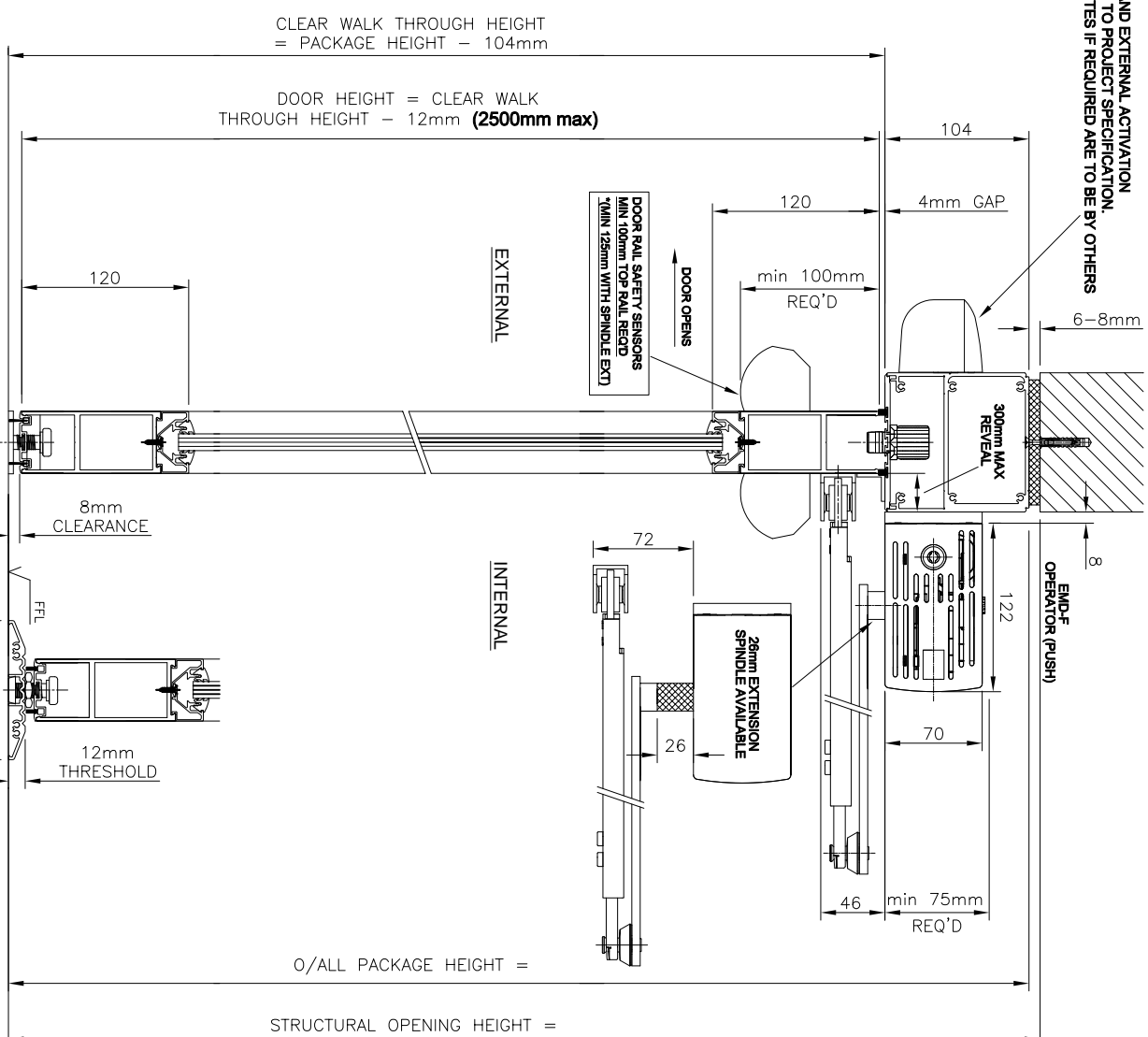


INTERNAL AND EXTERNAL ACTIVATION IS SUBJECT TO PROJECT SPECIFICATION. CABLE ROUTES IF REQUIRED ARE TO BE BY OTHERS

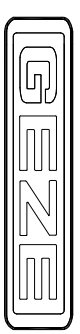


- BARRIERS MAY BE REQUIRED**
- TO SAFEGUARD AGAINST PEDESTRIAN TRAFFIC APPROACHING FROM THE SIDE INTO THE SWEEP AREA (OPENING AND CLOSING) OF THE SWING DOOR.
 - TO DIRECT PEDESTRIAN TRAFFIC TOWARDS THE DOORWAY OPENING
- PLEASE NOTE BARRIERS SHOULD BE POSITIONED IN SUCH A WAY THAT THEY DO NOT CAUSE AN OBSTRUCTION, OR INHIBIT MEANS OF ESCAPE OR REDUCE THE CLEAR OPENING.

PROJECT SPECIFIC DETAILS

PROJECT :	
FINISH :	
GLASS :	
LOCKING :	
CONTROLS :	
ACTIVATION :	
SAFETY :	

Revision	Drawn	Date	Reason for Change
B	GH	11/01/10	MIN DOOR LEAF 750mm
A	GH	24/9/08	EMD moved down on elev



Drawing No. EMD-11

The EMD-F TRANSDOM MOUNT PUSH (V/ARM) - Single RH with door & frame in Alum profiles (single glazed)

Drawn Appd Scale Date

GH NTS JUL 08

www.geze.com

Blenheim Way Fradley Park Lichfield Staffordshire. TEL 01543 443000 WS13 8SY FAX 01543 443001

This drawing shows the actual stage of product development at the date indicated. It is not intended to be used for the construction of a building. An option to amend this drawing is available to the client. The drawing remains the property of GEZE and is not to be used without the express consent of GEZE.