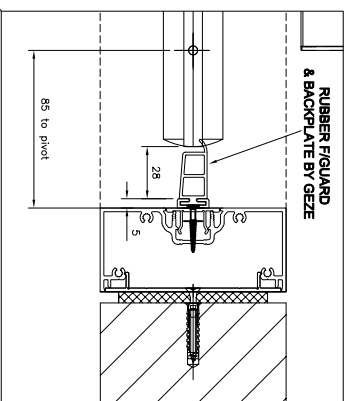
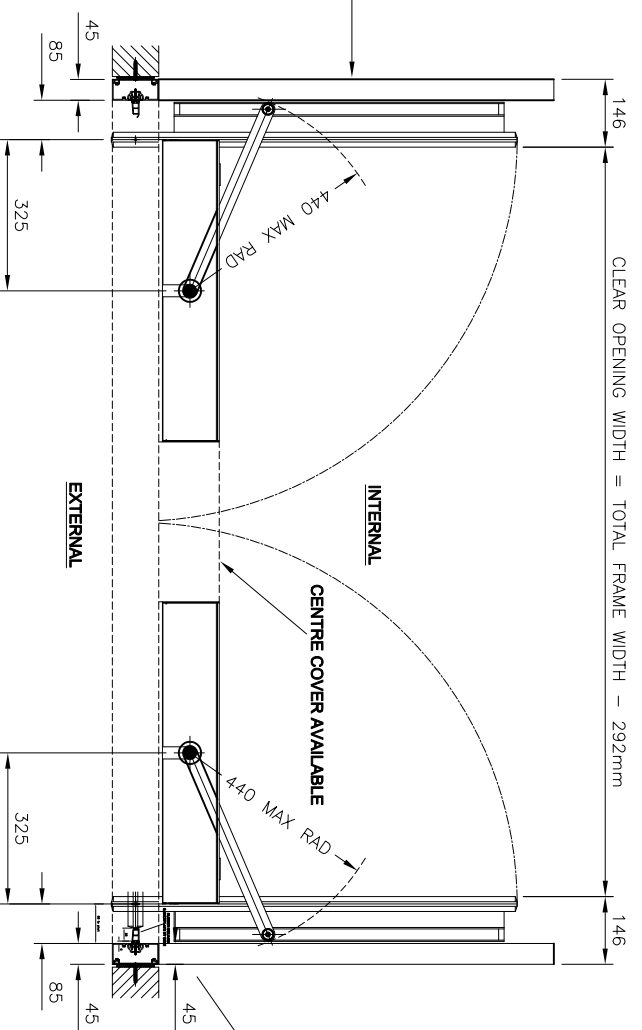
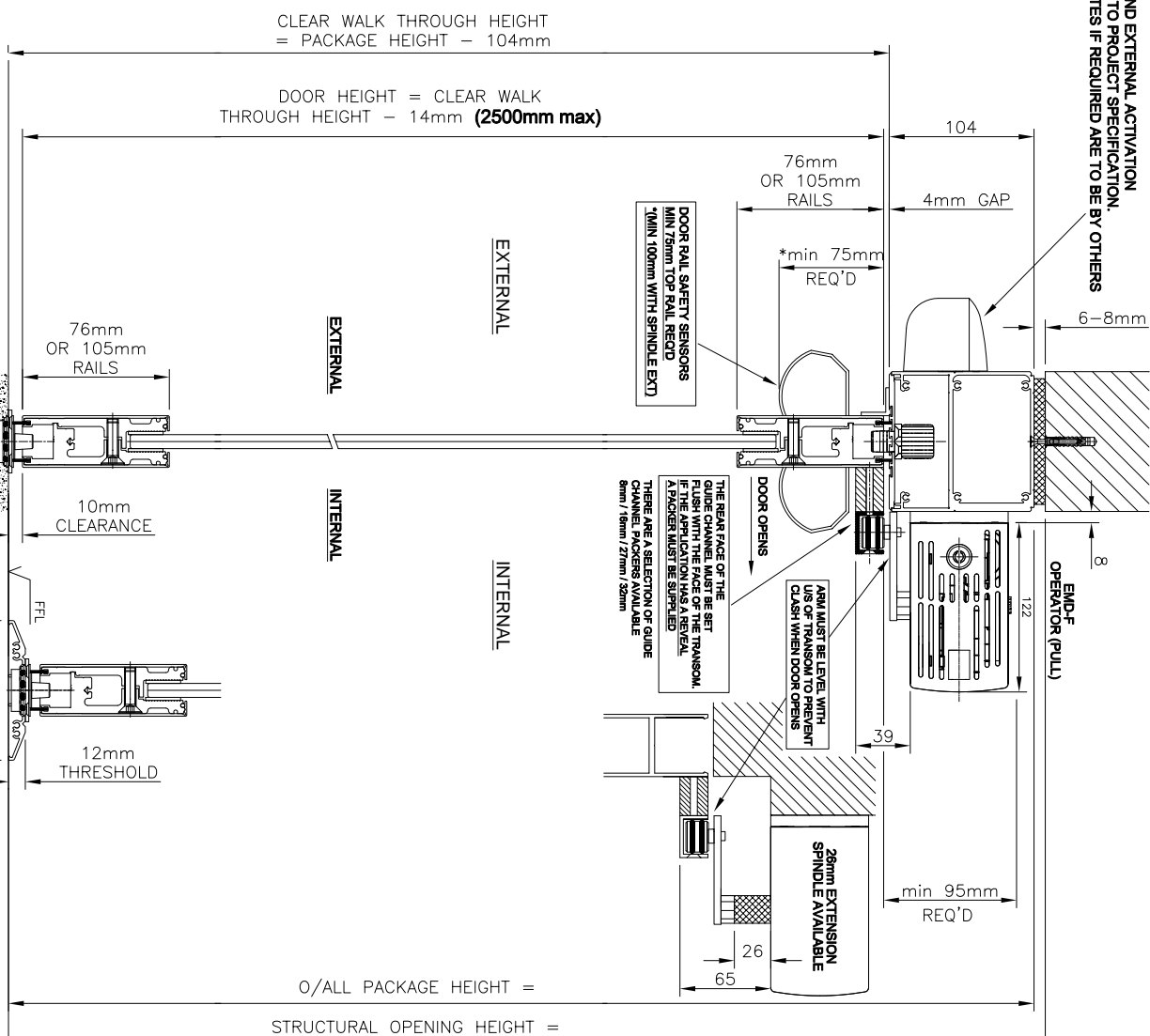


INTERNAL AND EXTERNAL ACTIVATION IS SUBJECT TO PROJECT SPECIFICATION. CABLE ROUTES IF REQUIRED ARE TO BE BY OTHERS



- BARRIERS MAY BE REQUIRED**
- a) TO SAFEGUARD AGAINST PEDESTRIAN TRAFFIC APPROACHING FROM THE SIDE INTO THE SWEEP AREA (OPENING AND CLOSING) OF THE SWING DOOR.
- b) TO DIRECT PEDESTRIAN TRAFFIC TOWARDS THE DOORWAY OPENING
- PLEASE NOTE BARRIERS SHOULD BE POSITIONED IN SUCH A WAY THAT THEY DO NOT CAUSE AN OBSTRUCTION, OR INHIBIT MEANS OF ESCAPE OR REDUCE THE CLEAR OPENING.

PROJECT SPECIFIC DETAILS

| | |
|--------------|--|
| PROJECT : | |
| FINISH : | |
| GLASS : | |
| LOCKING : | |
| CONTROLS : | |
| ACTIVATION : | |
| SAFETY : | |

| Revision | Drawn | Date | Reason for Change |
|----------|-------|---------|----------------------------|
| A | GH | 20/1/09 | SPINDLE EXT DETAIL REVISED |

Drawing No. EMD-05



Title: EMD-F TRANSDUCER MOUNT PULL (GUIDE CHANNEL) - Pair with doors in All Glass AP profiles within Aluminium Goalpost Frame

Drawn: GH, Appd: NTS, Scale: NTS, Date: SEP 08

GEZE UK Ltd, Blenheim Way, Fradley Park, Lichfield, Staffordshire, www.geze.com, TEL 01543 443000, FAX 01543 443001

This drawing shows the actual stage of product development the firm indicated. It is not intended to be used for the construction of a physical model. An option to purchase a physical model of this drawing. This drawing remains the property of GEZE and is not to be used without the express consent of GEZE.